



ISO 9001 CERTIFIED

REMOTE VALVE CONTROL SYSTEMS



WESCON PRODUCTS COMPANY

WESCON'S REMOTE VALVE CONTROL SYSTEM



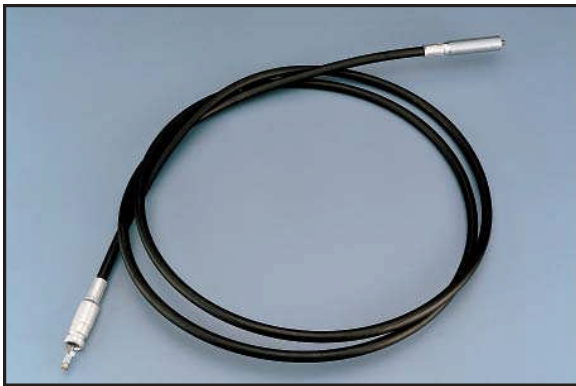
Wescon's Remote Valve Control

Wescon's Remote Valve Control (RVC) has been engineered to place versatility in the hands of the installer. Wescon's center locking feature, thumb activated by the "Big Red Button", can help your system meet OSHA Standards



RVC Mounting Systems

Wescon has a variety of mounting systems for your RVC needs. We offer everything from single brackets to towers for single/dual mounting applications.



Conduit and Cable

Wescon's 40 Series conduit and cable has been designed to allow for a tighter bend radius as small as 4". This allows the installer to avoid hazards such as the hot exhaust.



RVC with Electric Switches

Wescon has an ergonomically designed lever to use with our non-locking RVC which will accommodate up to three electric switches for your specific application.



RVC with Bent Le

's bent lever allows the installer to mount the RVC so that the cable can go through the back of the cab or down the armrest/console of your equipment. You may choose one of our standard bends or our engineers have developed tooling to allow you to design your own bend in high volume applications.

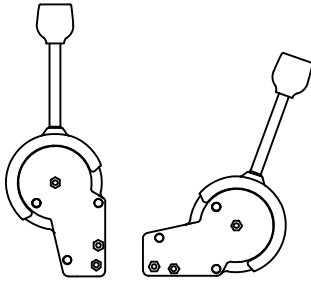


Mini RVC

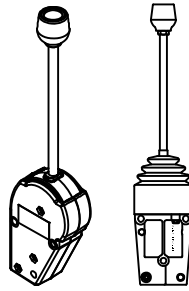
Engineered for compact installation where space is minimal. Available in center locking along with 3 lever angles.

DESIGNING YOUR SYSTEM Simple as 1-2-3-4

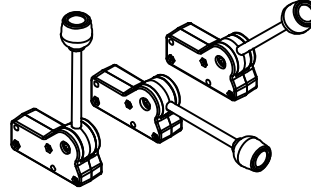
1 - Which Control Do You Need?



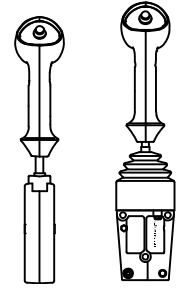
Single Axis Adjustable Handle RVC
See pages 4-6



Single Axis & Dual A
See pages 8-11, 15

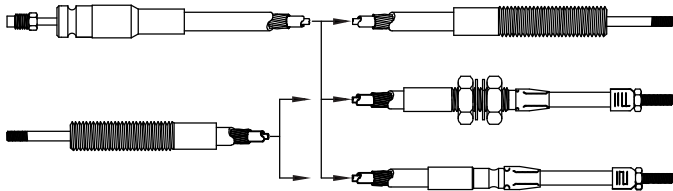


1e & Dual A
See pages 12-13

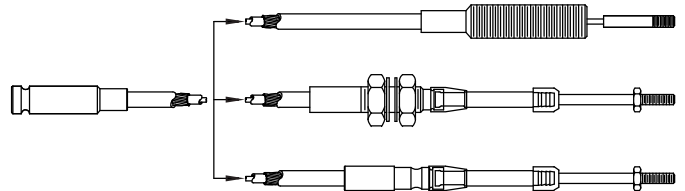


Electric Switch Lever RVC
See page 14

2 - Which Cable Fits Your Application?

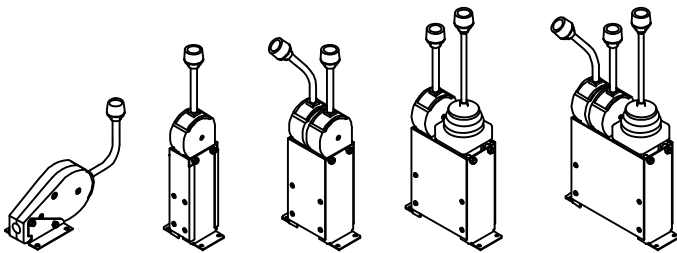


RVC Cable Assemblies
See pages 16-17

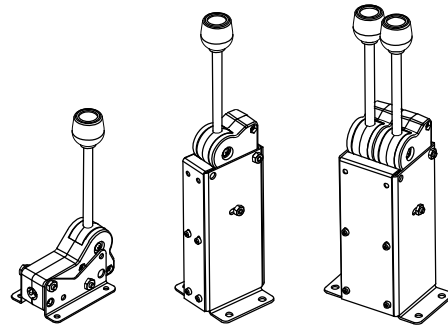


Mini RVC Cable Assemblies
See page 18

3 - Select Your Mounting System

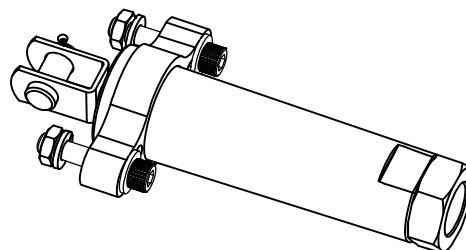


RVC Mounting Systems
See pages 19-20



Mini RVC Mounting Systems
See page 21

4 - Select Your Connection Kit



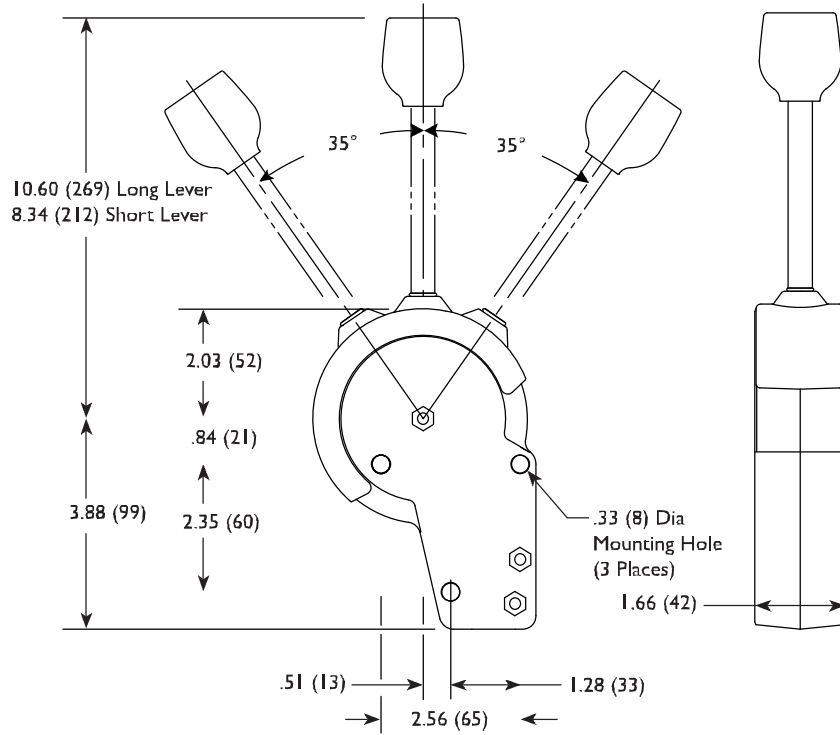
RVC Connection Kits
See page 22

Non-Locking Single Axis Adjustable Handle Remote Valve Control

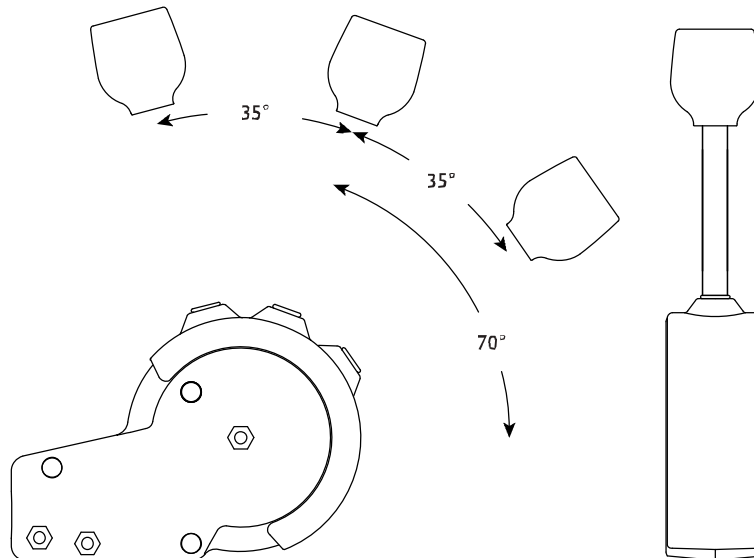
Available in Black Composite only.

Max Load 100 lbs, Cable Travel (from center) ±0.76

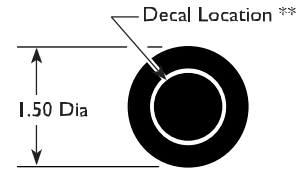
All Dimensions Are Inches (mm)



"Standard" Design

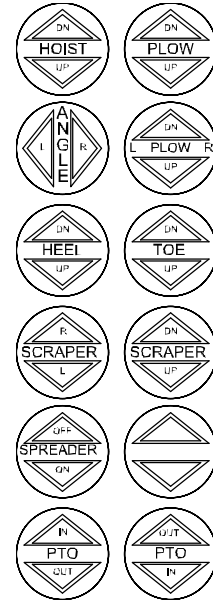


"70° Offset" Design



Knob Detail

Black Knob with Fixed Black Insert



****Decal Sheet**
(Shipped with Control)

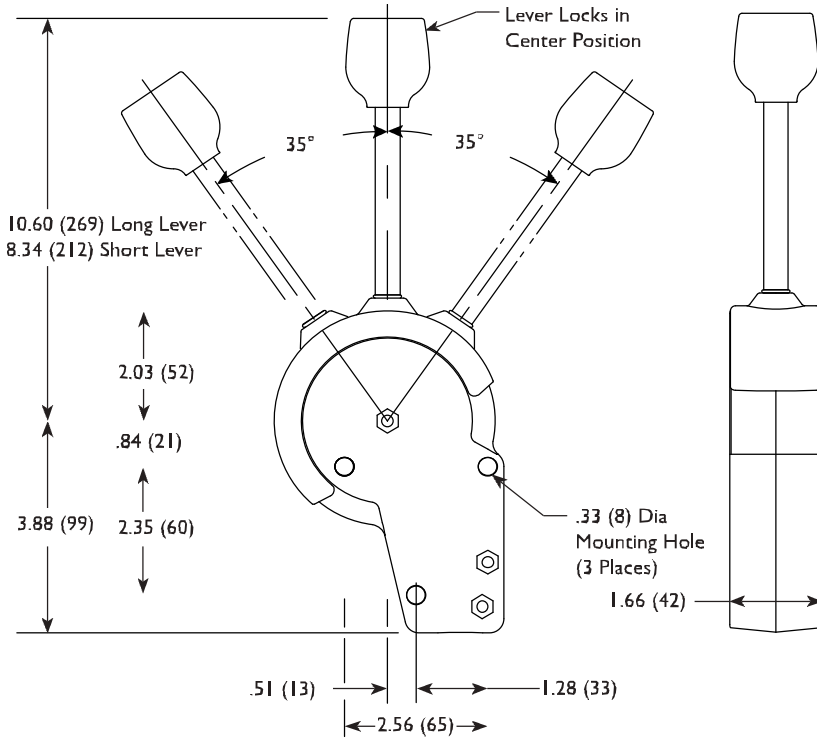
Description	Wescon P/N
Non-Locking Standard (Short)	08-6003-01
Non-Locking 70° Offset (Short)	08-6003-02
Non-Locking Standard (Long)	08-6003-03
Non-Locking 70° Offset (Long)	08-6003-04

Center Locking Single Axis Adjustable Handle Remote Valve Control

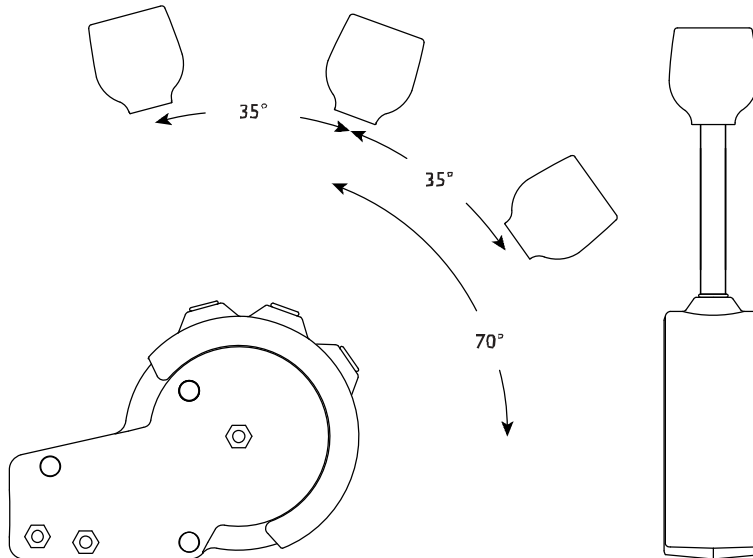
Available in Black Composite only.

Max Load 100 lbs. Cable Travel (from center) ± 0.76

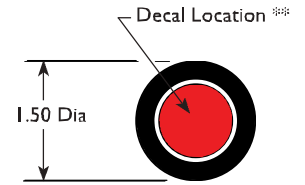
All Dimensions Are Inches (mm)



"Standard" Design

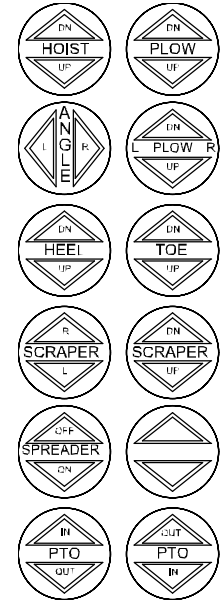


"70° Offset" Design



Knob Detail

Black Knob with Red Release Button



****Decal Sheet**
(Shipped with Control)

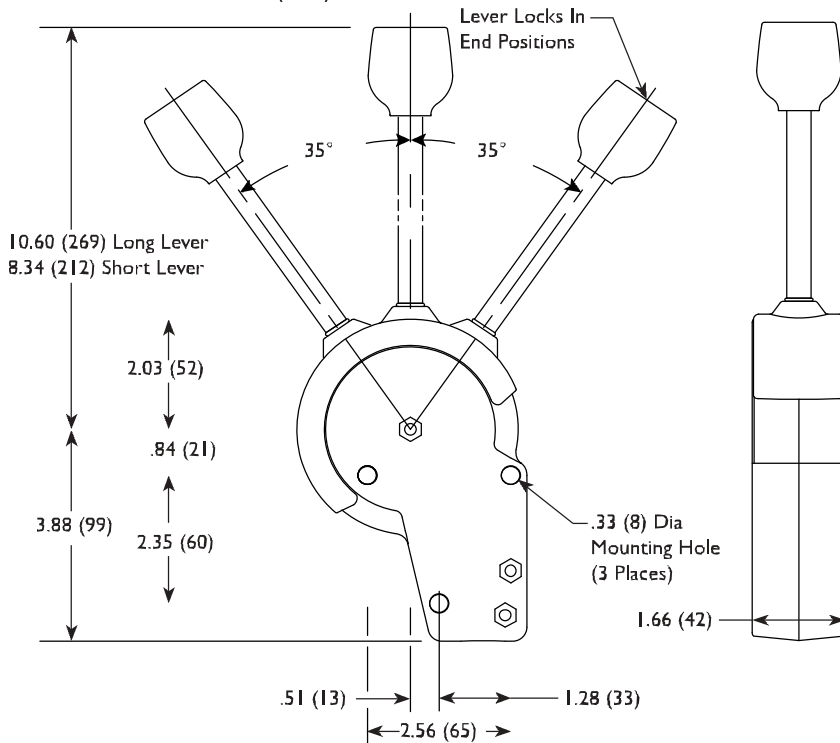
Description	Wescon P/N
Center Locking Standard (Short)	08-6002-01
Center Locking 70° Offset (Short)	08-6002-02
Center Locking Standard (Long)	08-6002-03
Center Locking 70° Offset (Long)	08-6002-04

End Locking Single Axis Adjustable Handle Remote Valve Control

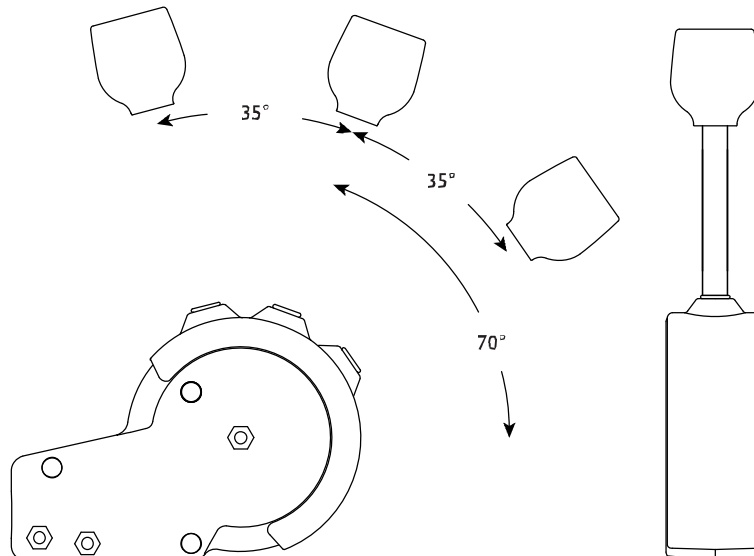
Available in Black Composite only.

Max Load 100 lbs, Cable Travel (from center) ±0.76

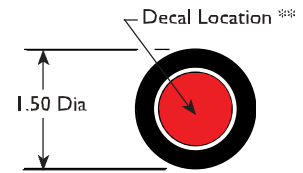
All Dimensions Are Inches (mm)



"Standard" Design

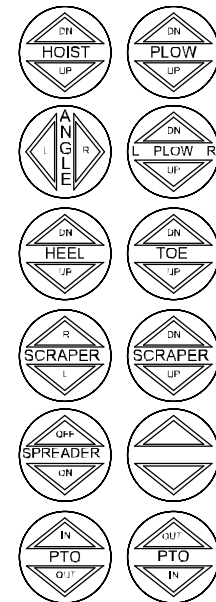


"70° Offset" Design



Knob Detail

Black Knob with Red Release Button



****Decal Sheet**

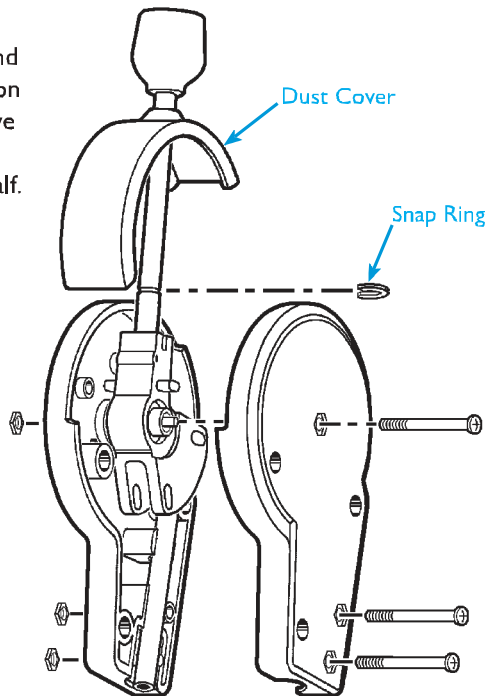
(Shipped with Control)

Description	Wescon P/N
End Locking Standard (Short)	08-6001-01
End Locking 70° Offset (Short)	08-6001-02
End Locking Standard (Long)	08-6001-03
End Locking 70° Offset (Long)	08-6001-04

The handle position of our Adjustable Handle RVC can be field converted from "Standard" to "70° Offset" in 5 easy steps.

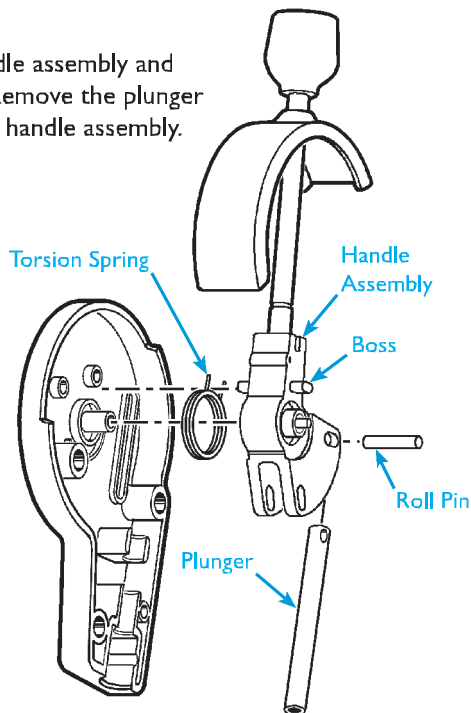
Step 1

Remove snap ring and slide dust cover up on handle shaft. Remove 3 screws and nuts then remove case half.



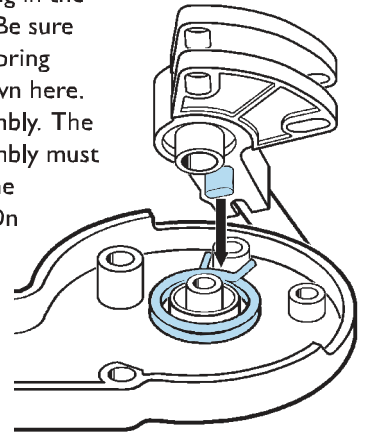
Step 2

Remove the handle assembly and torsion spring. Remove the plunger and roll pin from handle assembly.



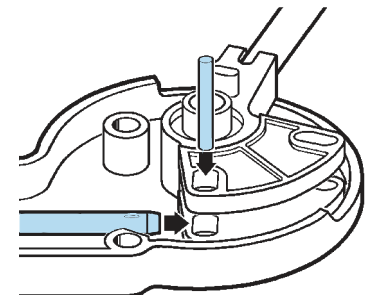
Step 3

Replace the torsion spring in the new 70° offset position. Be sure the legs on the torsion spring straddle the post as shown here. Replace the handle assembly. The boss on the handle assembly must fit between the legs of the torsion spring. (Note: On center and end locking controls, depress the red button on handle to seat lever assembly properly within detent position.)



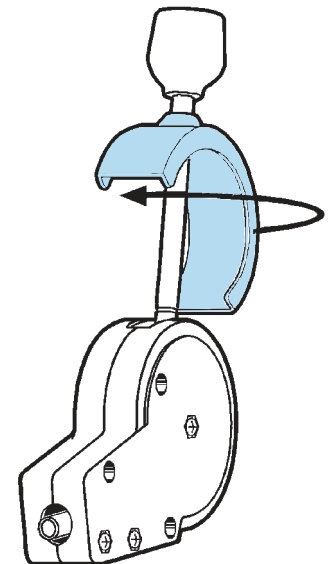
Step 4

Replace the plunger and roll pin.



Step 5

Replace the case. (Note: On center and end locking controls, depress the red button on handle to seat lever assembly properly within detent position.) Re-install the 3 screws and nuts and tighten. Rotate dust cover 180° on shaft and press over case assembly. Replace snap ring.



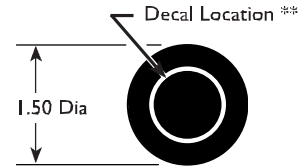
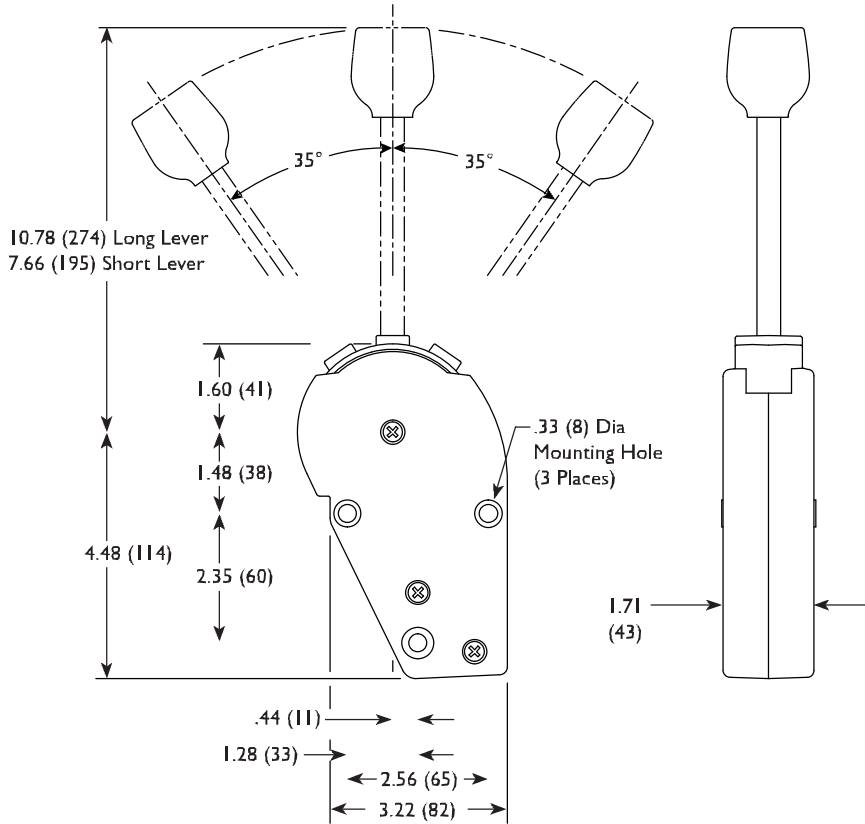
Non-Locking Single Axis Remote Valve Control

Available in Aluminum Black Powder Coat Finish, Natural Aluminum Finish or Black Composite.

Max Load 100 lbs, Cable Travel (fr .76

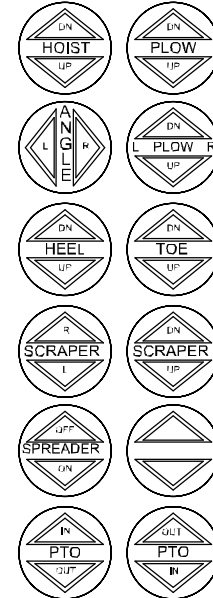
Custom bent levers for higher volume available, contact factory representative.

All Dimensions Are Inches (mm)



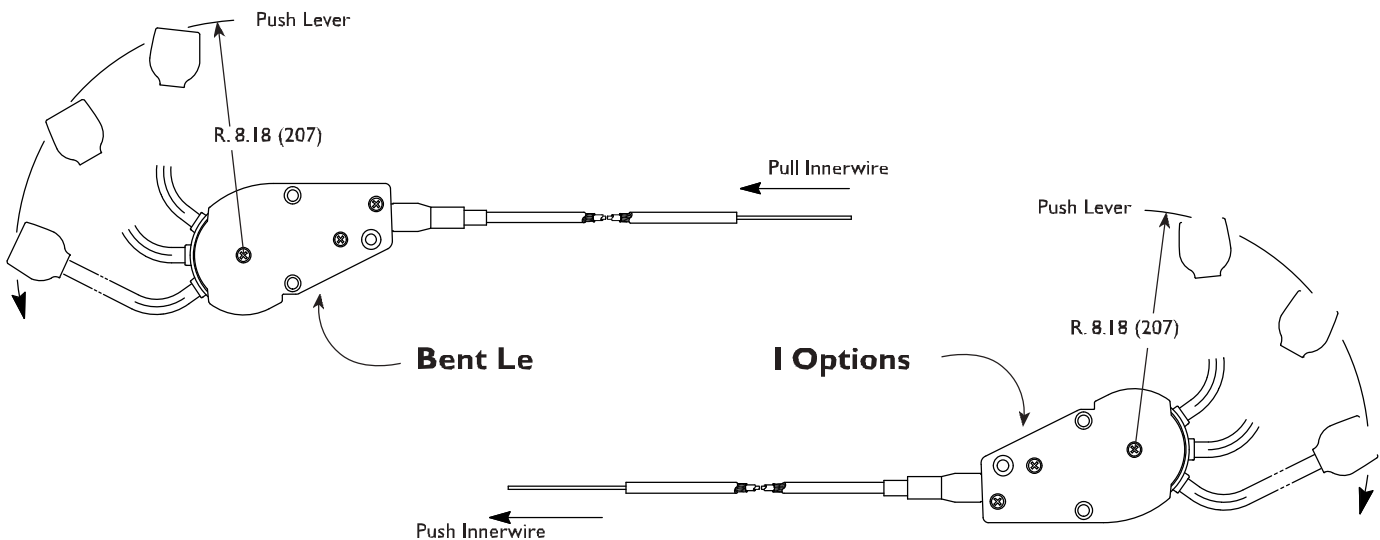
Knob Detail

Black Knob with Fixed Black Insert



****Decal Sheet**
(Shipped with Control)

Description	Wescon P/N Black PC Finish	Wescon P/N Nat. Alum. Finish	Wescon P/N Black Composite
Non-Locking Straight Lever (Short)	08-5909-01	08-5909-02	08-6010-01
Non-Locking Straight Lever (Long)	08-5908-01	08-5908-02	08-6010-02
Non-Locking Bent Lever (Push Lever-Pull Innerwire)	08-5906-01	08-5906-02	08-6010-03
Non-Locking Bent Lever (Push Lever-Push Innerwire)	08-5905-01	08-5905-02	08-6010-04



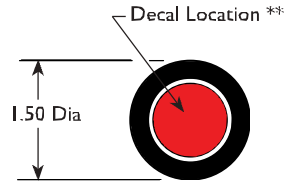
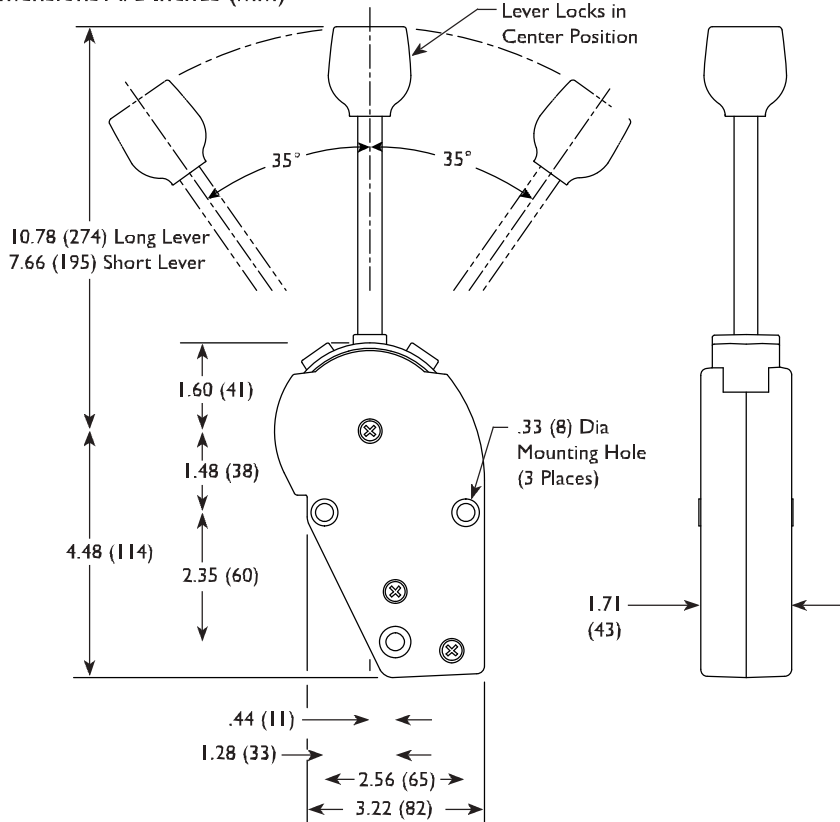
Center Locking Single Axis Remote Valve Control

Available in Aluminum Black Powder Coat Finish, Natural Aluminum Finish or Black Composite.

Max Load 100 lbs, Cable Travel (from center) ±0.76

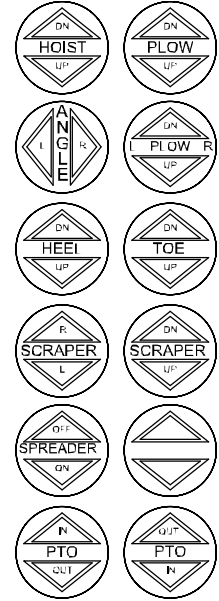
Custom bent levers for higher volume available, contact factory representative.

All Dimensions Are Inches (mm)



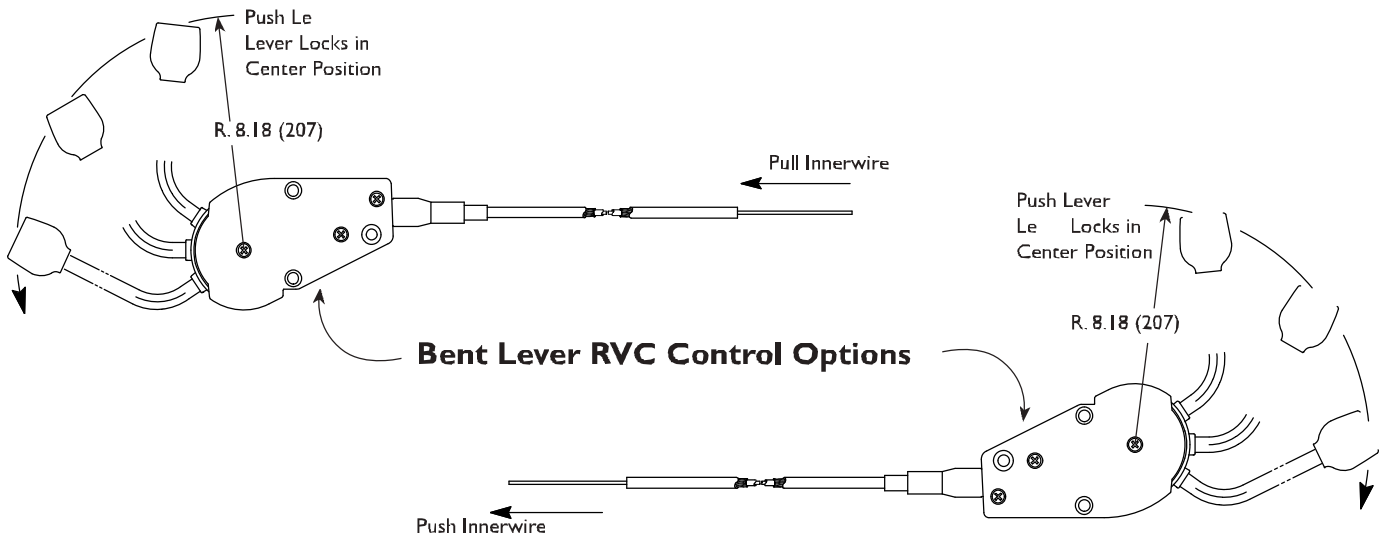
Knob Detail

Black Knob with Red Release Button



**Decal Sheet
(Shipped with Control)

Description	Wescon P/N Black PC Finish	Wescon P/N Nat. Alum. Finish	Wescon P/N Black Composite
Center Locking Straight Lever (Short)	08-5907-01	08-5907-03	08-6011-01
Center Locking Straight Lever (Long)	08-5907-05	08-5907-07	08-6011-02
Center Locking Bent Lever (Push Lever-Pull Innerwire)	08-5904-01	08-5904-03	08-6011-03
Center Locking Bent Lever (Push Lever-Push Innerwire)	08-5903-01	08-5903-03	08-6011-04



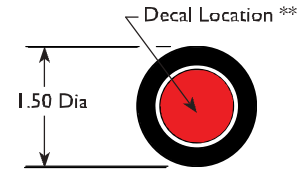
End Locking Single Axis Remote Valve Control

Available in Aluminum Black Powder Coat Finish, Natural Aluminum Finish or Black Composite.

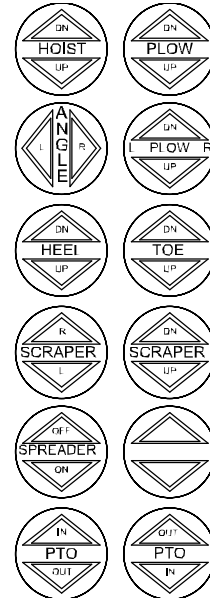
Max Load 100 lbs, Cable Travel (fr) ±0.76

Custom bent levers for higher volume available, contact factory representative.

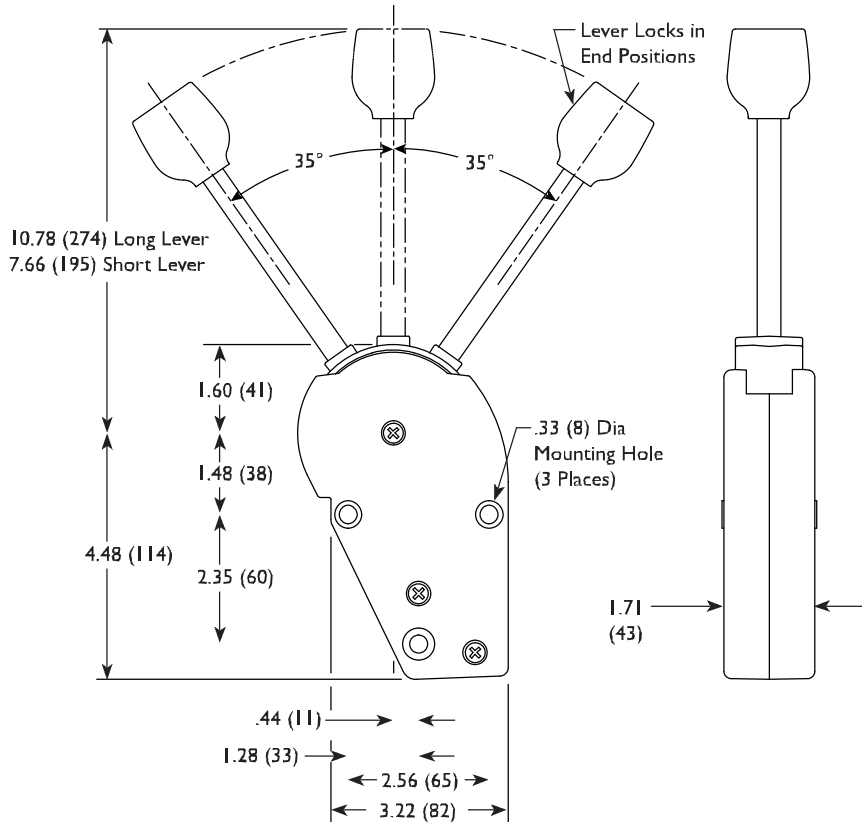
All Dimensions Are Inches (mm)



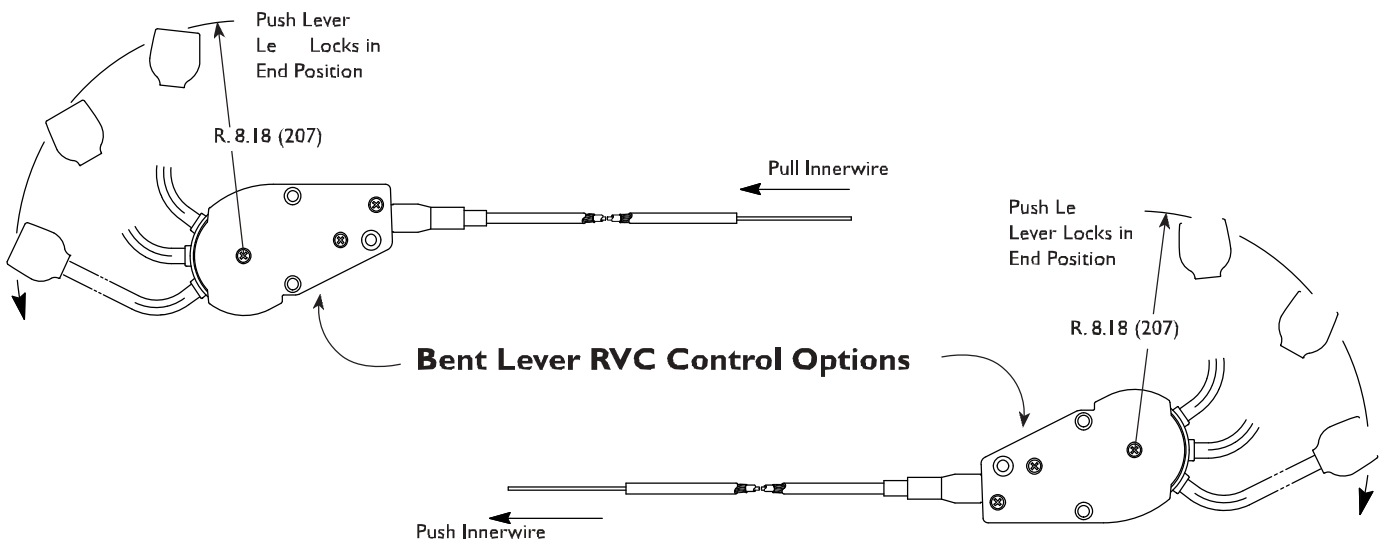
Knob Detail
Black Knob with Red Release Button



****Decal Sheet**
(Shipped with Control)



Description	Wescon P/N Black PC Finish	Wescon P/N Nat. Alum. Finish	Wescon P/N Black Composite
End Locking Straight Lever (Short)	08-5907-02	08-5907-04	08-6012-01
End Locking Straight Lever (Long)	08-5907-06	08-5907-08	08-6012-02
End Locking Bent Lever (Push Lever-Pull Innerwire)	08-5904-02	08-5904-04	08-6012-03
End Locking Bent Lever (Push Lever-Push Innerwire)	08-5903-02	08-5903-04	08-6012-04

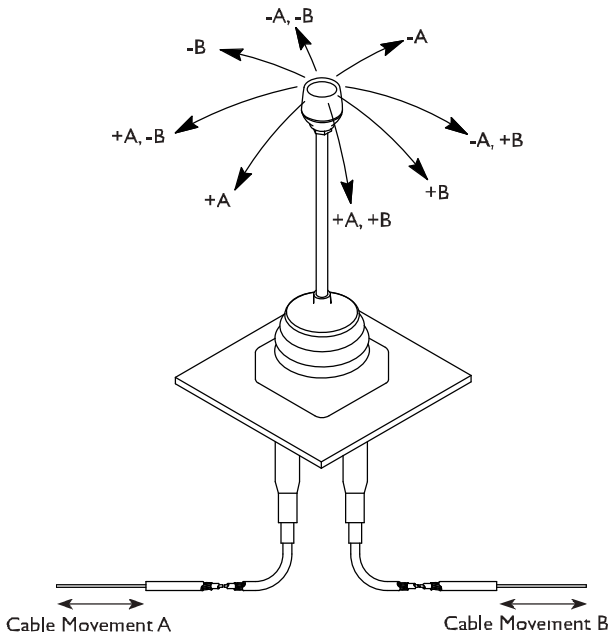
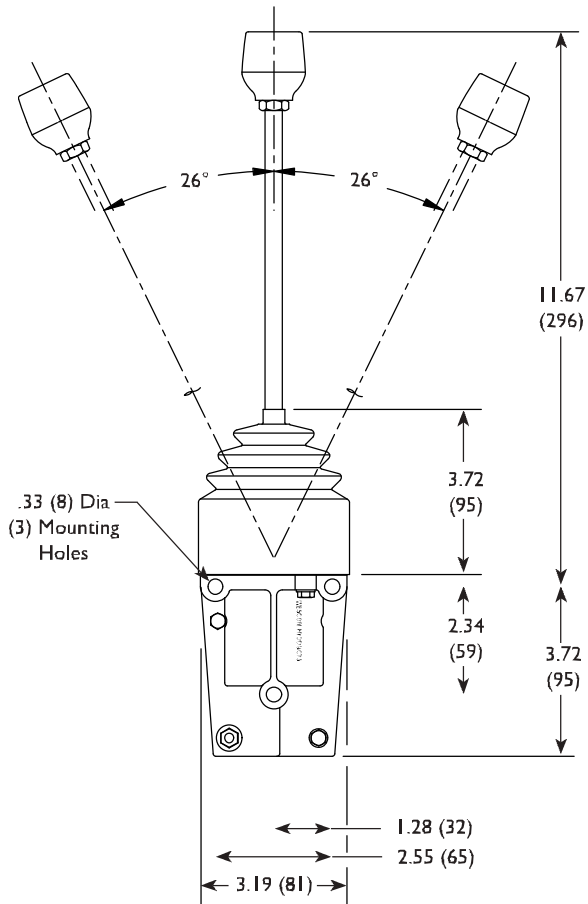


Non-Locking Dual A

Max Load 100 lbs, Cable Travel (from center) ± 0.62

Wescon Part No. 08-5900-14

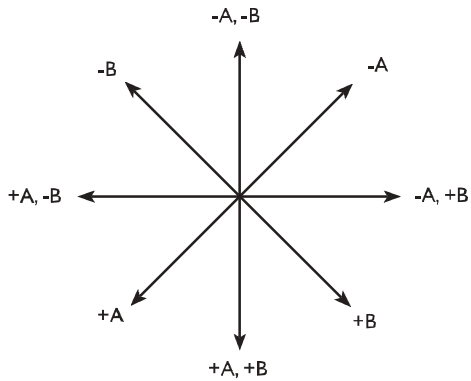
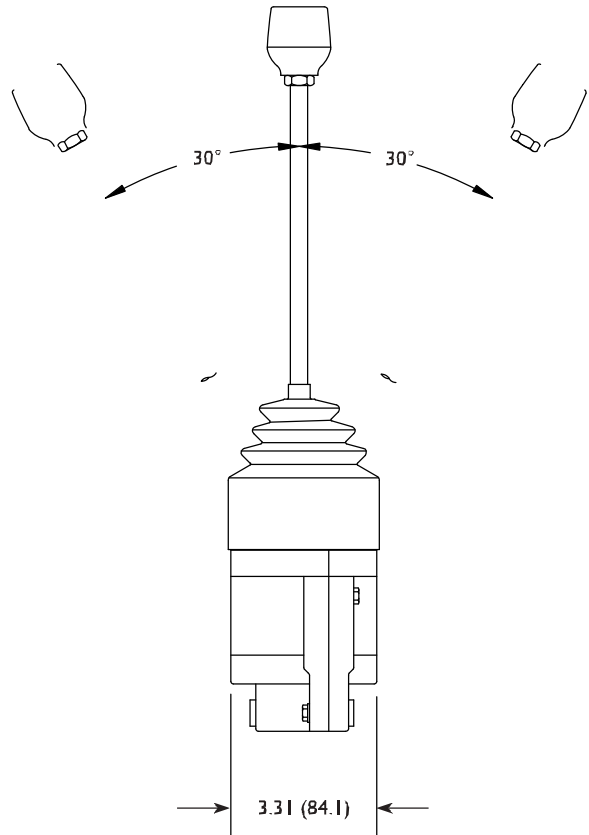
All Dimensions Are Inches (mm)



Ive Control

Note:

Install control with three 5/16-18 UNC fasteners and torque to a maximum of 75 inch-lbs.



+ = Extended
- = Retracted

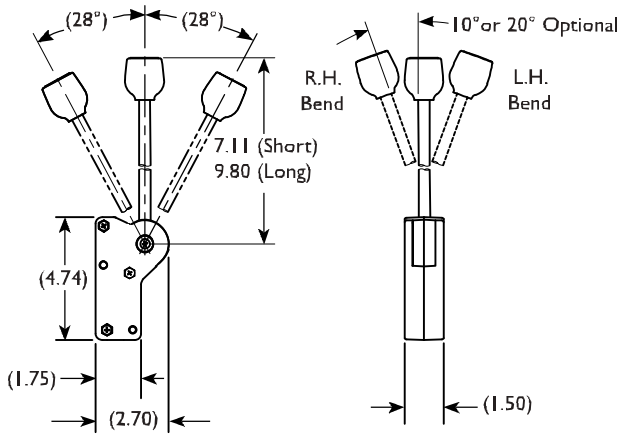
Mini Single Axis Remote Valv

Available in Aluminum Black Powder Coat Finish.

Max Load 100 lbs, Cable Travel (from center) ±0.56

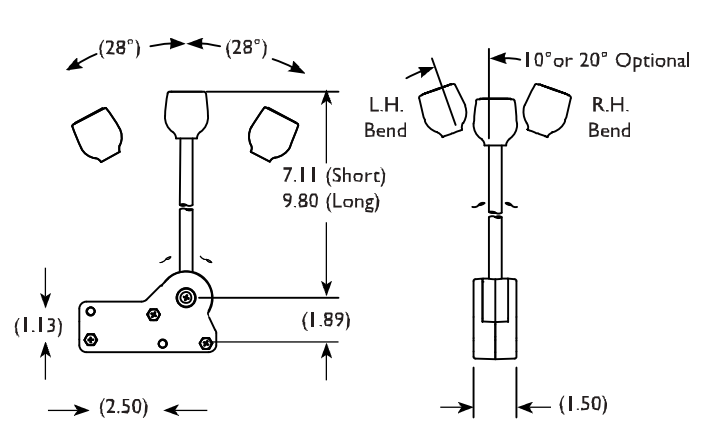
Note:

Install control with two 1/4-20 UNC fasteners and torque to a maximum of 50 inch-lbs.



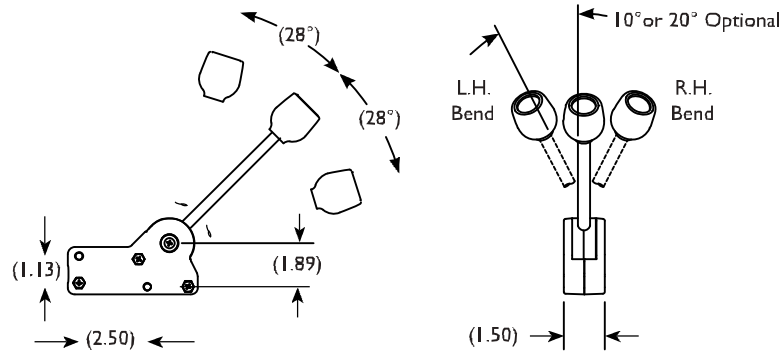
"Standard" Design

Description	Wescon P/N
Standard Center Locking (Short)	08-5962-01
Standard Non-Locking (Short)	08-5965-01
Standard Non-Locking (Long)	08-5965-02
Standard Non-Locking Bent 20° R.H.	08-5965-03
Standard Non-Locking Bent 20° L.H.	08-5965-04
Standard Non-Locking Bent 10° R.H.	08-5965-05
Standard Non-Locking Bent 10° L.H.	08-5965-06



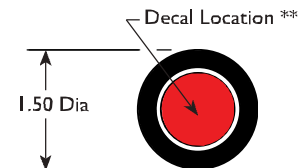
"90° Offset" Design

Description	Wescon P/N
90° Center Locking (Short)	08-5960-01
90° Non-Locking (Short)	08-5963-01
90° Non-Locking (Long)	08-5963-02
90° Non-Locking Bent 20° R.H.	08-5963-03
90° Non-Locking Bent 20° L.H.	08-5963-04
90° Non-Locking Bent 10° R.H.	08-5963-05
90° Non-Locking Bent 10° L.H.	08-5963-06



"45° Offset" Design

Description	Wescon P/N
45° Center Locking (Short)	08-5961-01
45° Non-Locking (Short)	08-5964-01
45° Non-Locking (Long)	08-5964-02
45° Non-Locking Bent 20° R.H.	08-5964-03
45° Non-Locking Bent 20° L.H.	08-5964-04
45° Non-Locking Bent 10° R.H.	08-5964-05
45° Non-Locking Bent 10° L.H.	08-5964-06



Knob Detail

Black Knob with Red Release Button

Mini Dual A

Max Load 100 lbs, Cable Travel (from center) ± 0.56

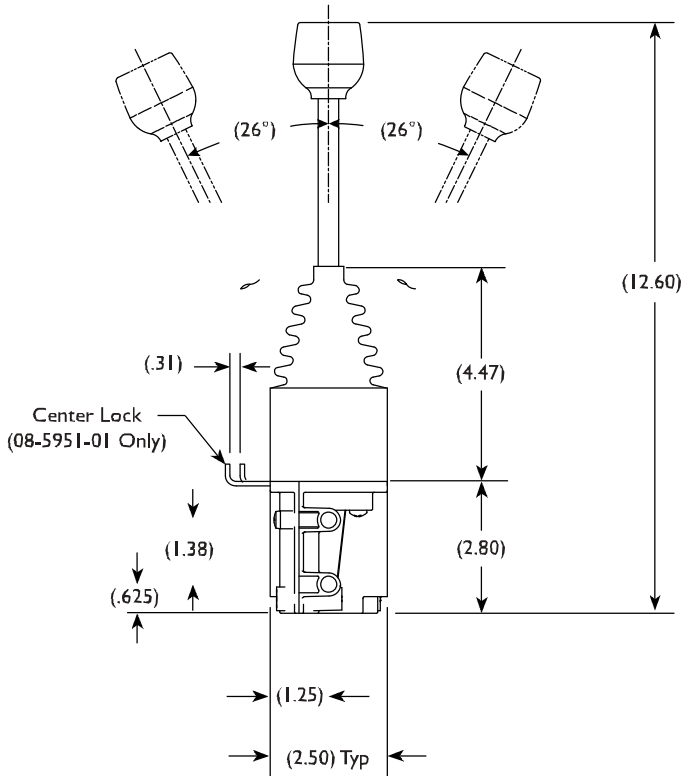
Wescon Part No. 08-5950-01 Non-Locking

Wescon Part No. 08-5951-01 Center-Locking

Note:

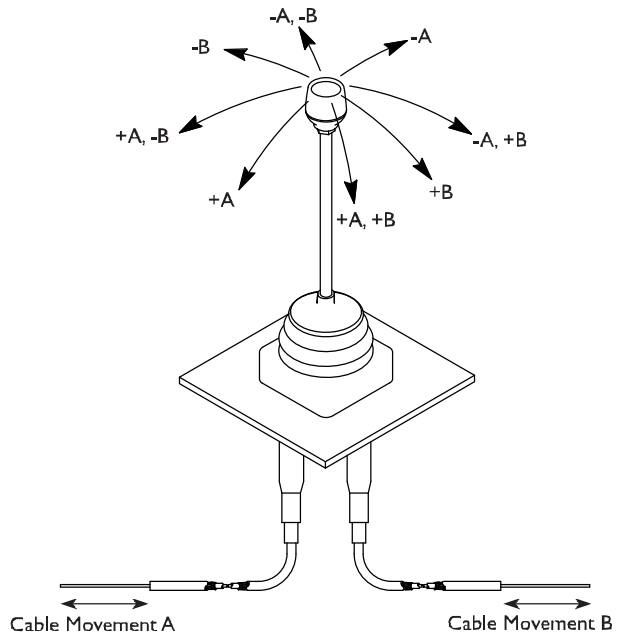
Install control with two 5/16-18 UNC fasteners and torque to a maximum of 50 inch-lbs.

Ive Control



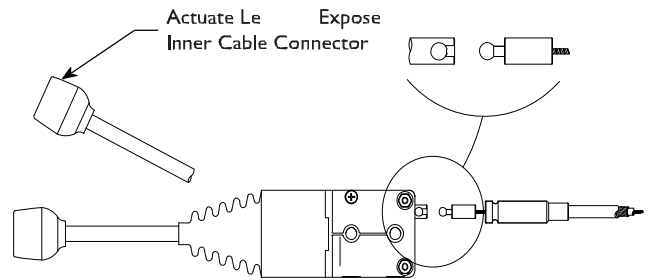
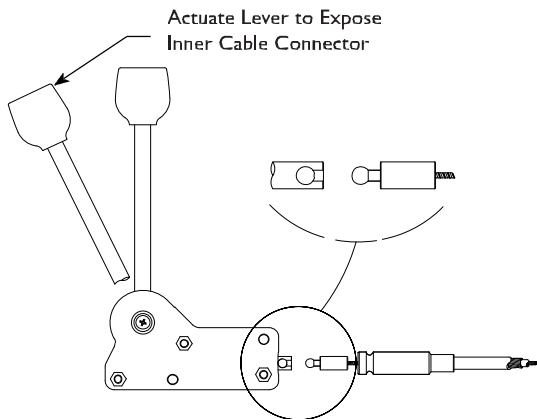
Cable Schematic

+ = Retracted
- = Extended



Quick Connect Feature

This system facilitates quick assembly reducing installation time and cost.

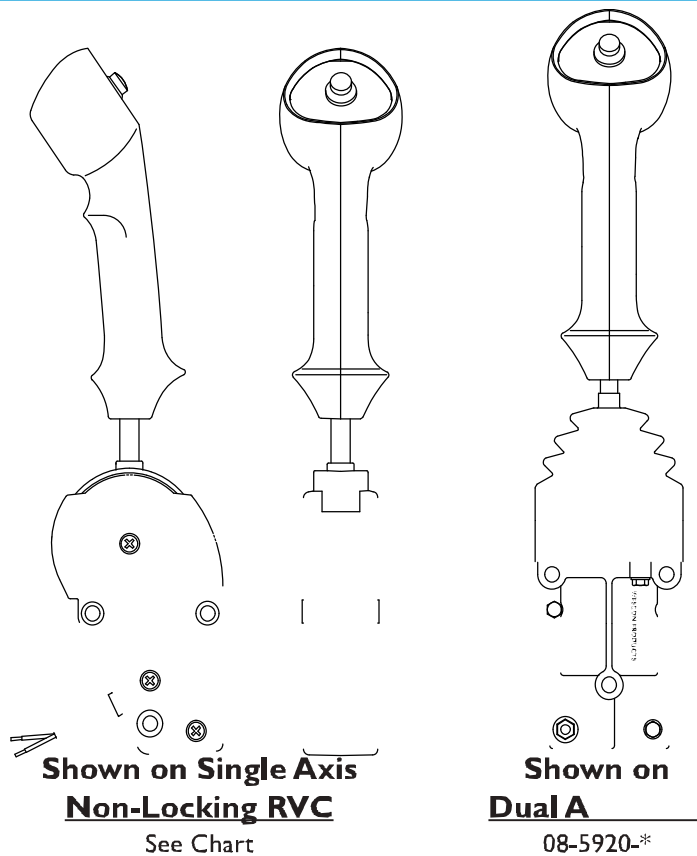


Uses Quick Connect RVC cable.

Uses Quick Connect RVC cable shown on page 18.

Electric Switch Le

- Available on Single Axis RVC's and Dual Axis RVC's
- Durable Nylon Handle (Black)
- Wa
- Push Button and Rocker Switch Ratings at 28 Volt - 5 Amps Inductive - 3 Amps
- C le Life at Rated Load Push Button - 50,000 Rocker - 25,000
- 20 gauge leads with a minimum of 8" exposed

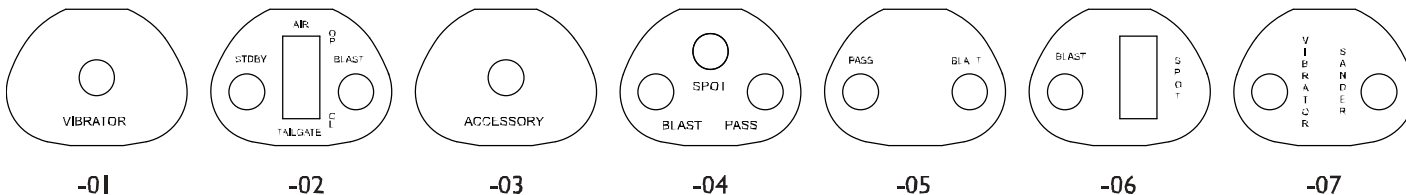


Description	Wescon P/N Black PC Finish	Wescon P/N Nat. Alum. Finish	Wescon P/N Black Composite
Electric Switch RVC Single Axis Non-Locking	08-5919-*	08-5918-*	08-6014-*
Electric Switch RVC Single Axis Center Locking	08-5922-*	08-5921-*	08-6015-*
Electric Switch RVC Single Axis End Locking	08-5924-*	08-5923-*	08-6016-*
Electric Switch RVC Single Axis Center & End Locking	08-5926-*	08-5925-*	08-6017-*

* (See Stamped Switch Plate options below for available dash numbers.)

Stamped Switch Pla (80-4008 Series)

(Options Available Upon Request)



○ Push Button Switch □ Rocker Switch

Switch Replacement Kits		
Switch P/N	Description	Kit P/n
80-4004-04	Rocker Switch SPDT	K80-4004-04
80-4004-05	Push Button	K80-4004-05
80-4004-06	Rocker Switch SPST	K80-4004-06

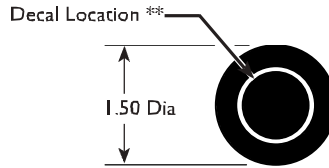
Consult factory for Mini Dual A

les.

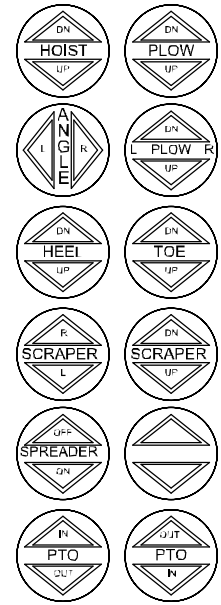
Friction Single Axis Remote Valve Control

Available in Aluminum Black Powder Coat Finish, Natural Aluminum Finish or Black Composite.
 Max Load 100 lbs., Cable Travel (from center) ±0.76
 All Dimensions Are Inches (mm)

- This control could be used in applications requiring infinite adjustments of engine RPM such as a throttle control, hydrostatic transmission control or a speed control of a hydraulic motor.
- The handle resistance can be custom adjusted to the specific application, allowing the control to be placed in any position along its 1.50" travel.
- Lever stays where the operator wants it regardless of vibration.

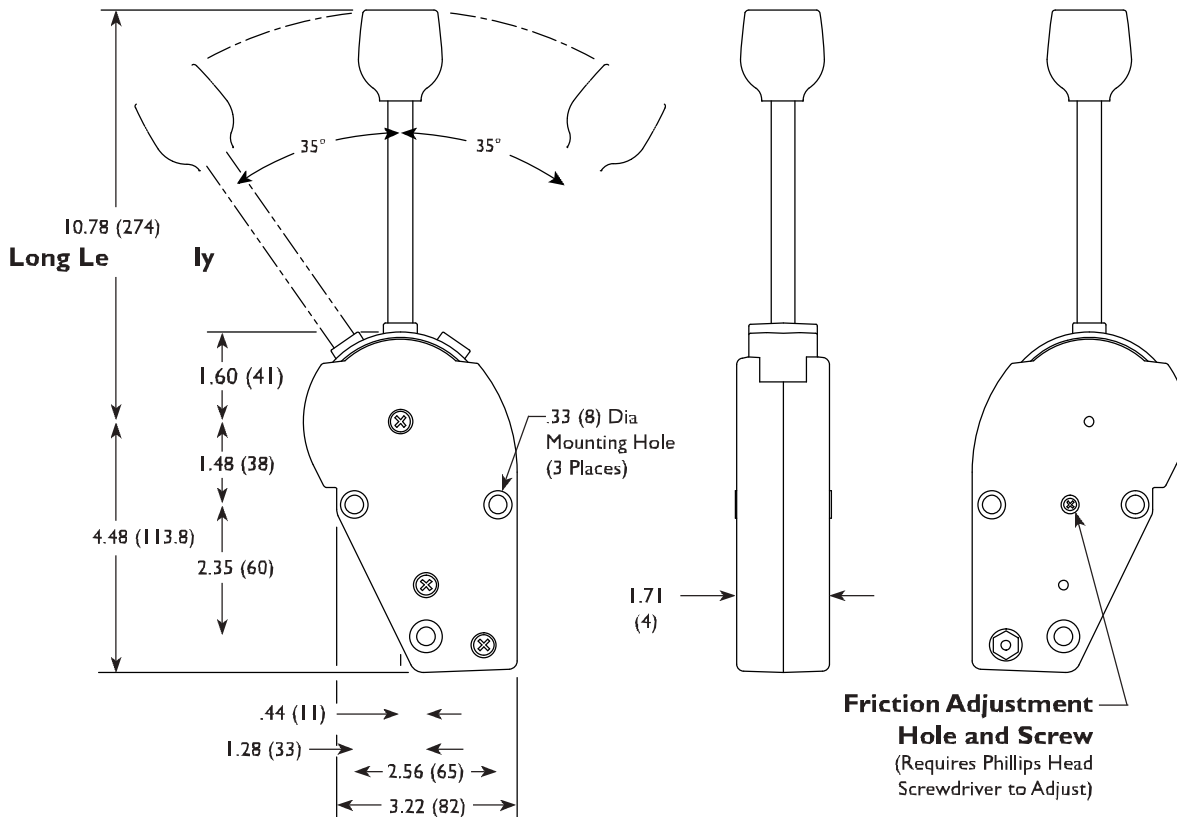


Knob Detail
 Black Knob with Fixed Black Insert



****Decal Sheet**
 (Shipped with Control)

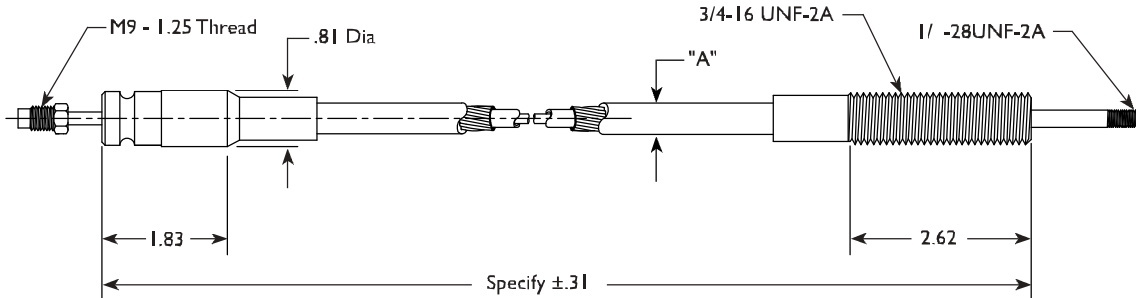
Description	Wescon P/N Black PC Finish	Wescon P/N Nat. Alum. Finish	Wescon P/N Black Composite
Friction RVC Control, Non-Locking Straight Lever (Long)	08-5908-03	08-5908-04	08-6013-01
Friction RVC Control, Center Locking Straight Lever (Long)	08-5916-01	08-5916-03	08-6013-02
Friction RVC Control, End Locking Straight Lever (Long)	08-5916-02	08-5916-04	08-6013-03



Wescon recommends 40 Series Cable Assemblies for Use with Remote Valve Controls

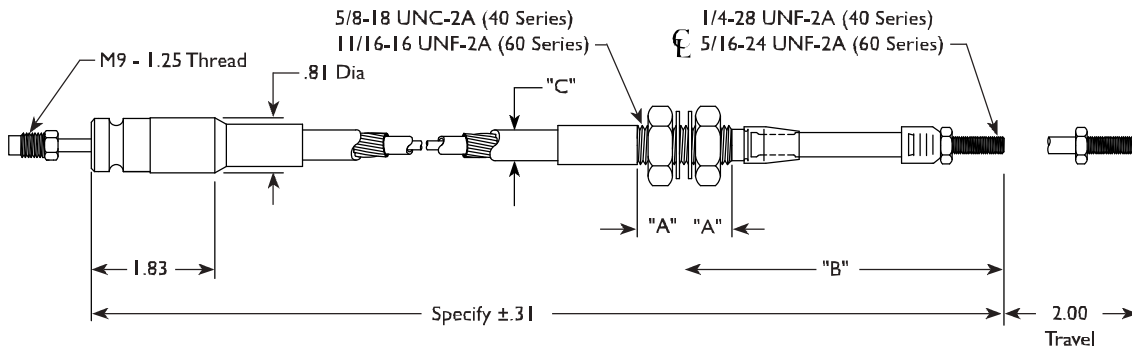
If larger cables are required, please contact your Wescon Sales Representative

Style 1 - RVC Head Adapter with Connection Kit Attachment Fitting (use with standard RVC only)



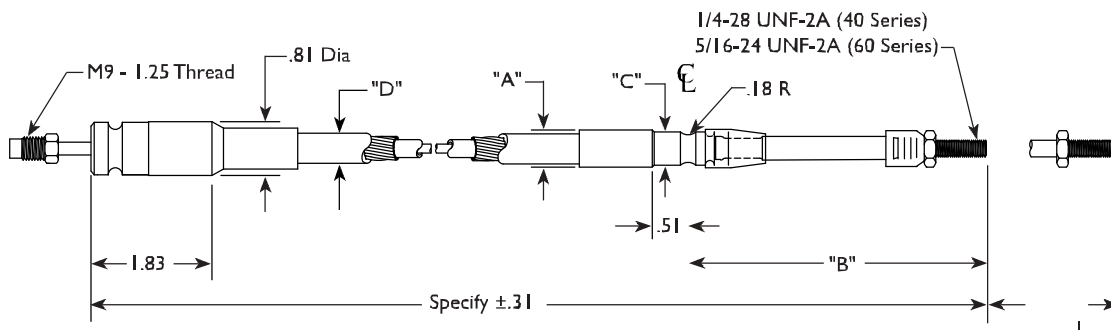
Part Number	"A"
40 Series	.44
60 Series	.56

Style 2 - RVC Head Adapter with Bulkhead Swivel Fitting 2" Travel (use with standard RVC only)



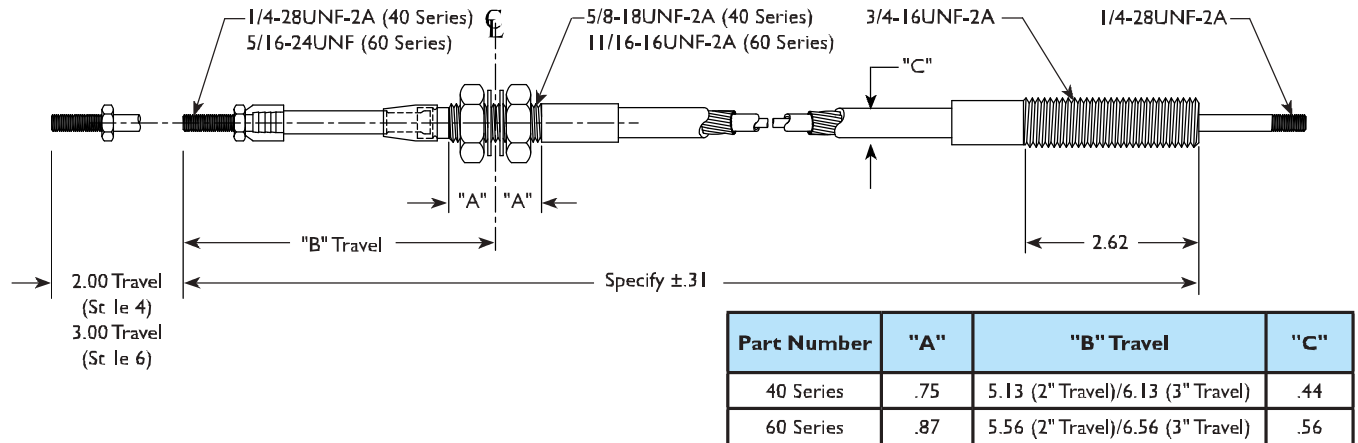
Part Number	"A"	"B"	"C"
40 Series	.75	5.13	.44
60 Series	.87	5.56	.56

Style 3 - RVC Head Adapter with Grooved Swivel Fitting 2" Travel (use with standard RVC only)

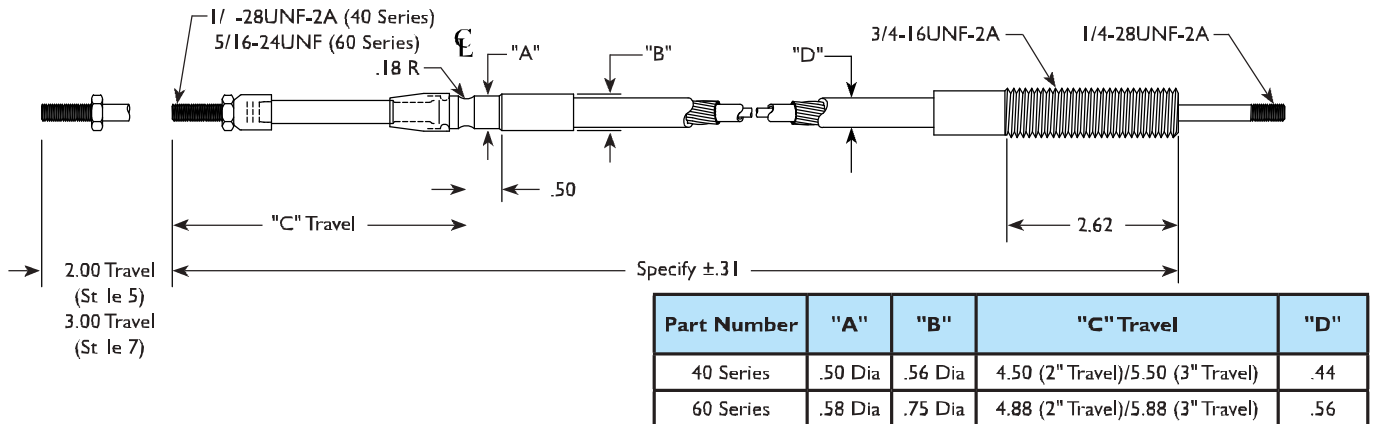


Part Number	"A"	"B"	"C"	"D"
40 Series	.56	4.50	.50 Dia	.44
60 Series	.75	4.88	.57 Dia	.56

Styles 4 & 6 - Bulkhead Swivel Fitting with Connection Kit Attachment Fitting



Styles 5 & 7 - Grooved Swivel Fitting with Connection Kit Attachment Fitting

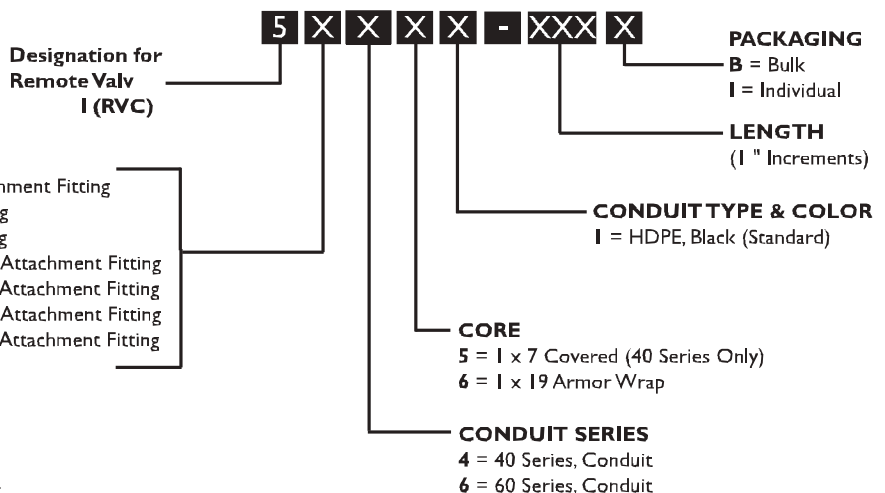


STYLE

- 1 = RVC Head Adapter with Connection Kit Attachment Fitting
- 2 = RVC Head Adapter with Bulkhead Swivel Fitting
- 3 = RVC Head Adapter with Grooved Swivel Fitting
- 4 = 2" Travel Bulkhead Swivel with Connection Kit Attachment Fitting
- 5 = 2" Travel Grooved Swivel with Connection Kit Attachment Fitting
- 6 = 3" Travel Bulkhead Swivel with Connection Kit Attachment Fitting
- 7 = 3" Travel Grooved Swivel with Connection Kit Attachment Fitting

EXAMPLE:

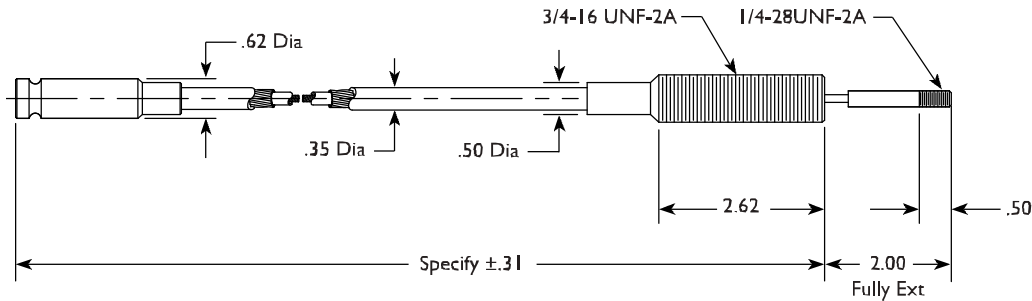
P.N. 53461-088B RVC Head Adapter One End with Grooved Swivel Fitting Opposite End, 40 Series Conduit, 1 x 19 Armor Wrap Core, Black HDPE Conduit Covering, 88 Inches Long, Bulk Pack



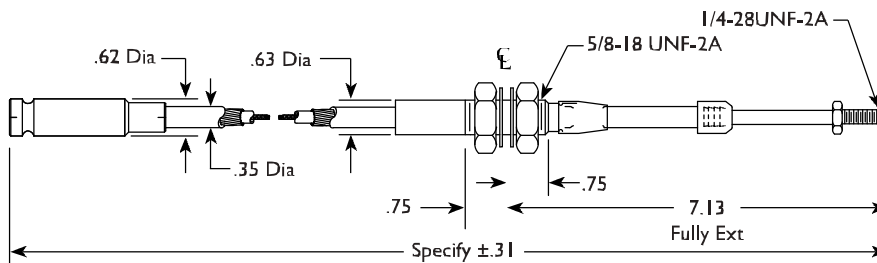
Wescon Recommends Their Exclusive Cable Series for Use with Mini Remote Valve Controls

If your load requirement is in excess of 100 lbs, please contact your Wescon sales representative.

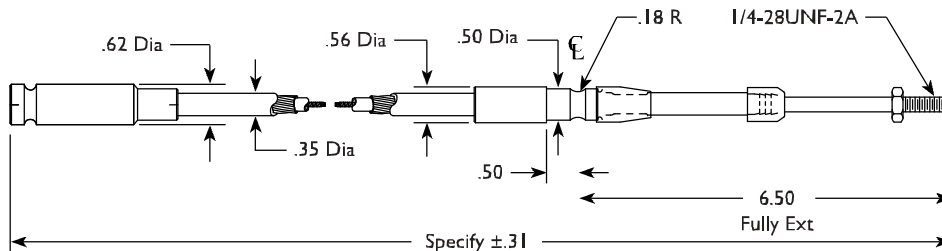
Style 1 - RVC Head Adapter with Connection Kit Attachment Fitting (5M136I-XXXX)(use with Mini RVC only)



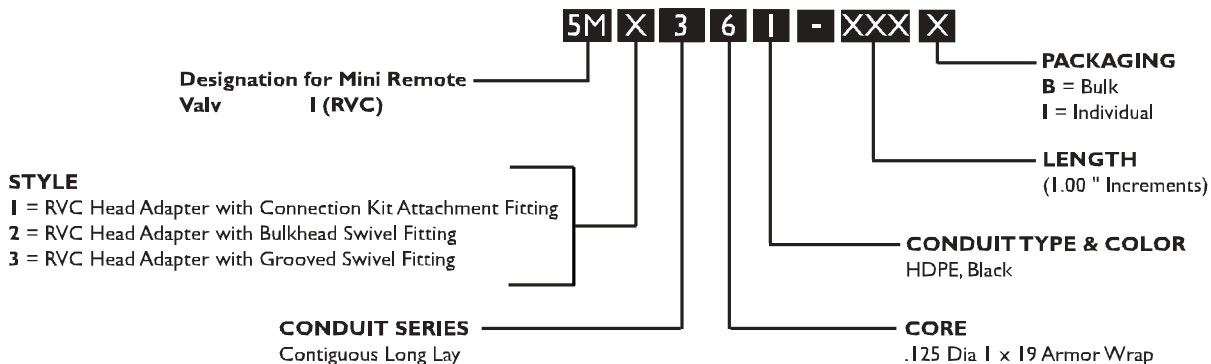
Style 2 - RVC Head Adapter with Bulkhead Swivel Fitting (5M236I-XXXX)(use with Mini RVC only)



Style 3 - RVC Head Adapter with Grooved Swivel Fitting (5M336I-XXXX)(use with Mini RVC only)

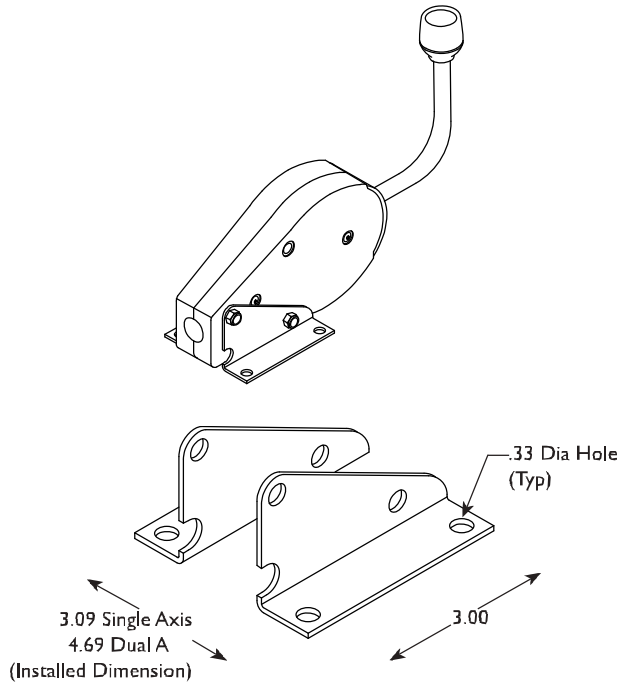


Mini Remote Valve Control Cable Part Number Code



07-0006-01 - RVC Mounting Bracket

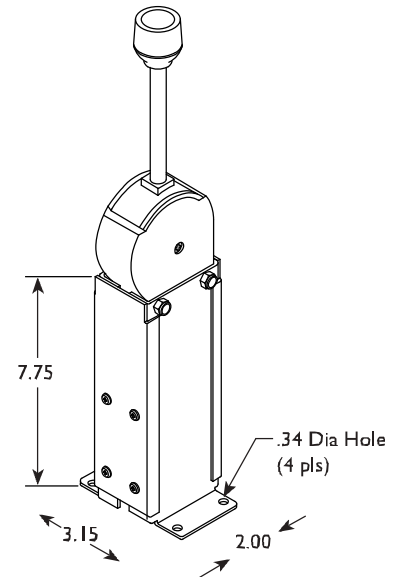
- Made to Accommodate:
 - (1) Single Axis RVC or
 - (1) Dual A
- Fasteners not Included



07-0004-01

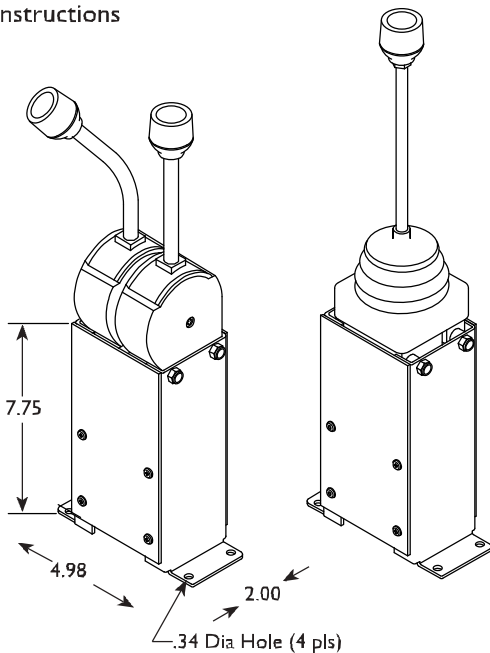
Single RVC Tower Assy Kit

- Made to Accommodate:
 - (1) Single Axis RVC
- Kit Includes Assembly Hardware and Instructions



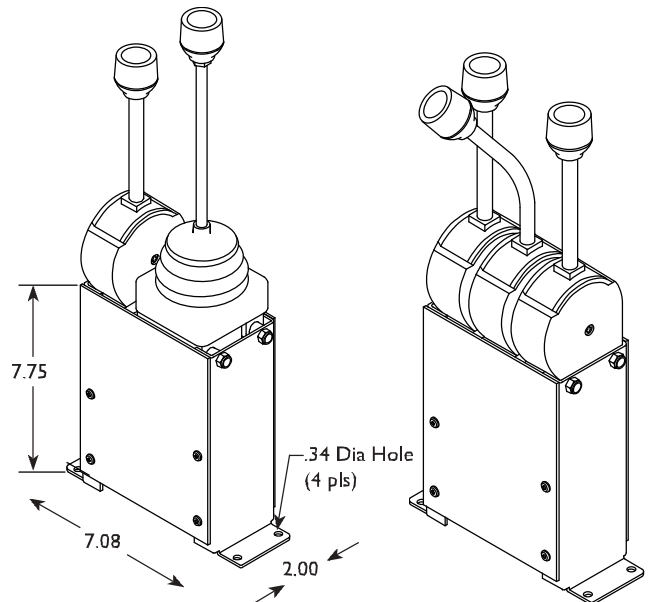
**07-0004-02
Dual RVC To**

- Made to Accommodate:
 - (2) Single Axis RVC or
 - (1) Dual A
- Kit Includes Assembly Hardware and Instructions



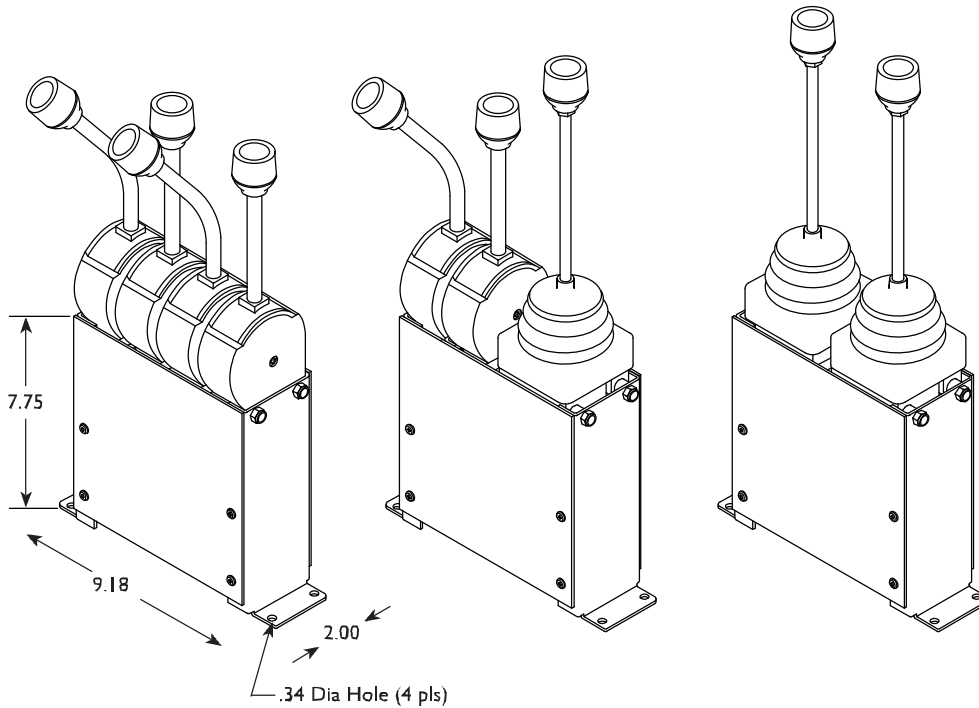
07-0004-03 - Triple RVC To

- Made to Accommodate:
 - (3) Single Axis RVC or
 - (1) Dual A (1) Single Axis RVC
- Kit Includes Assembly Hardware and Instructions



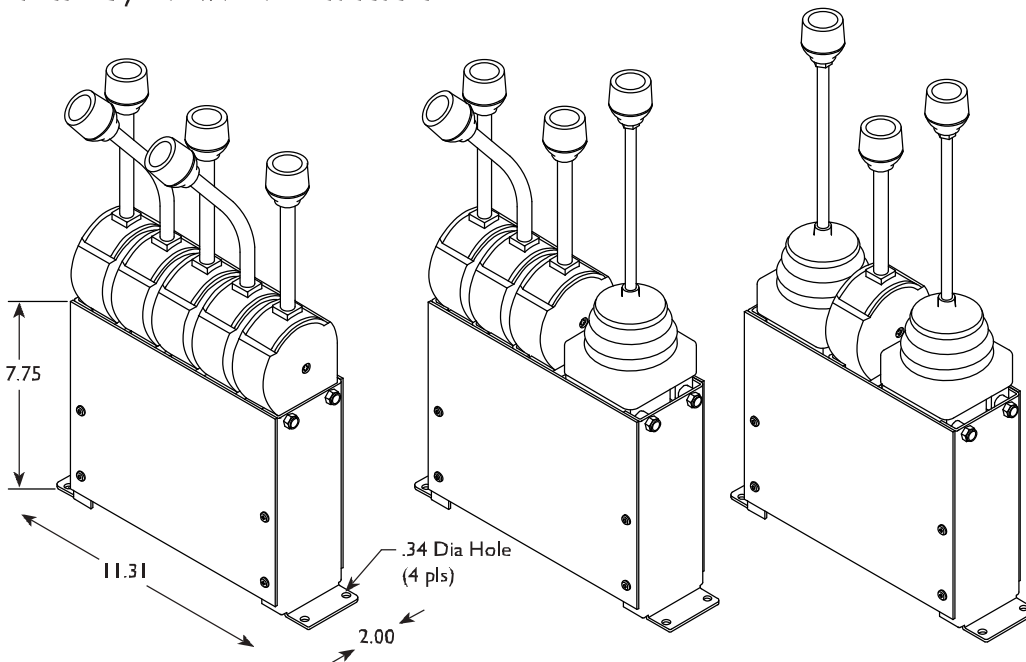
07-0004-04 - Quad RVC To

-) Single Axis RVC or
- (1) Dual A) Single Axis RVC or
- (2) Dual A
- Kit Includes Assembly Hardware and Instructions



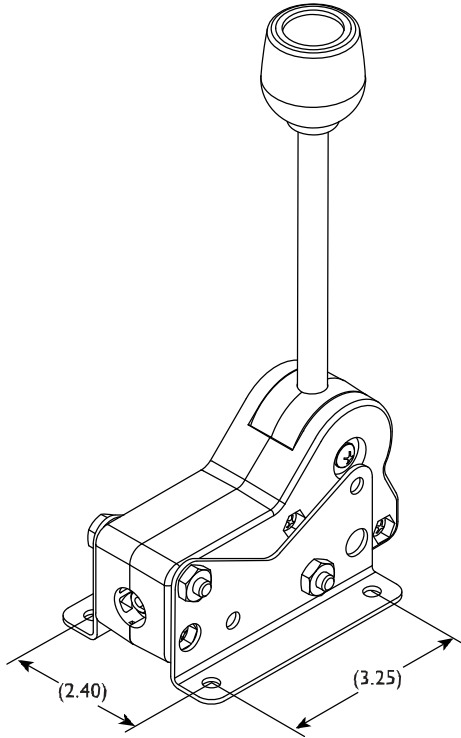
07-0004-05 - Quint RVC To

- Made to Accommodate:
- (5) Single Axis RVC or
- (1) Dual A (3) Single Axis RVC or
- (2) Dual A (1) Single Axis RVC
- Kit Includes Assembly Hardware and Instructions



07-0147-03 - Mini RVC Mounting Bracket

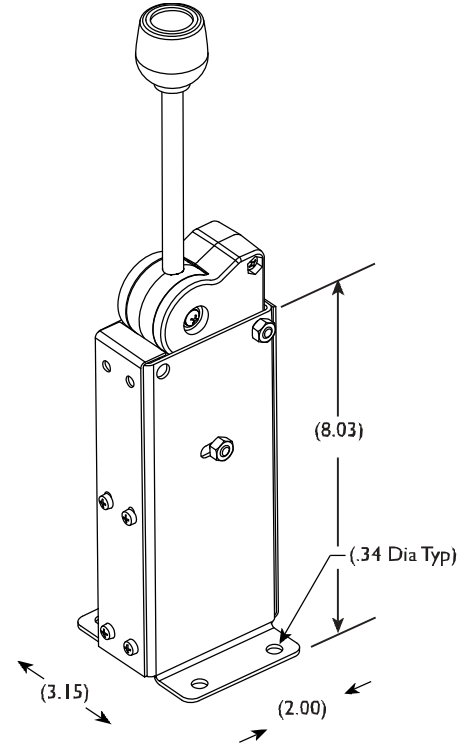
- Made to Accommodate:
(1) Single Axis Mini RVC
- Fasteners not Included
- Use with Mini RVC only



07-0004-06

Single Mini RVC To

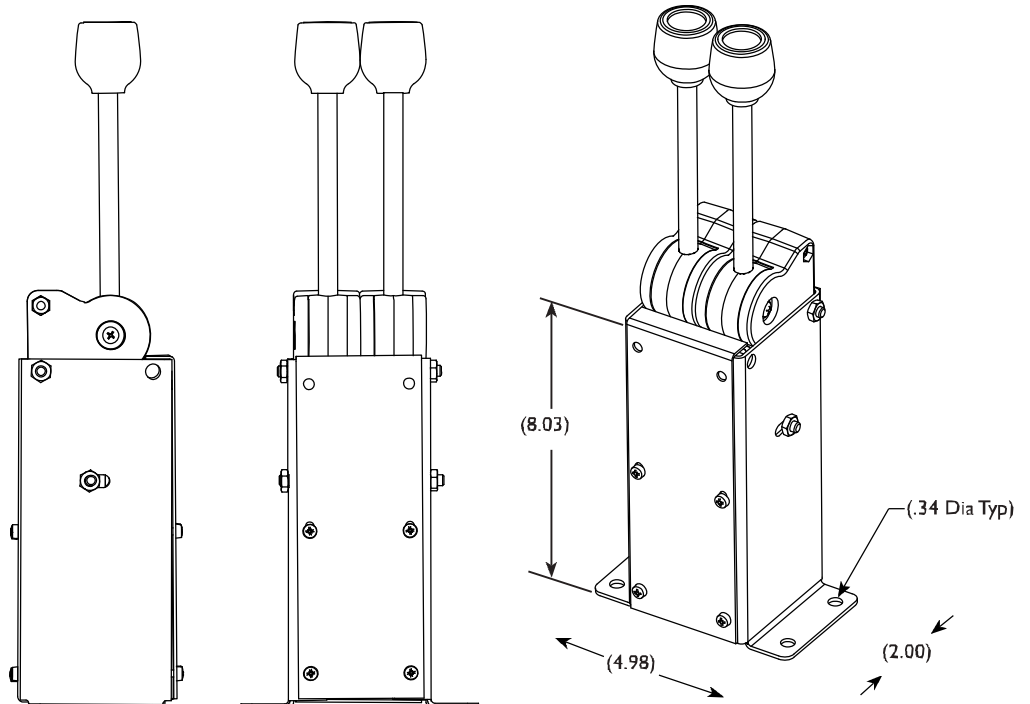
- Made to Accommodate:
(1) Single Axis Mini RVC
- Kit Includes Assembly Hardware and Instructions
- Use with Mini RVC only

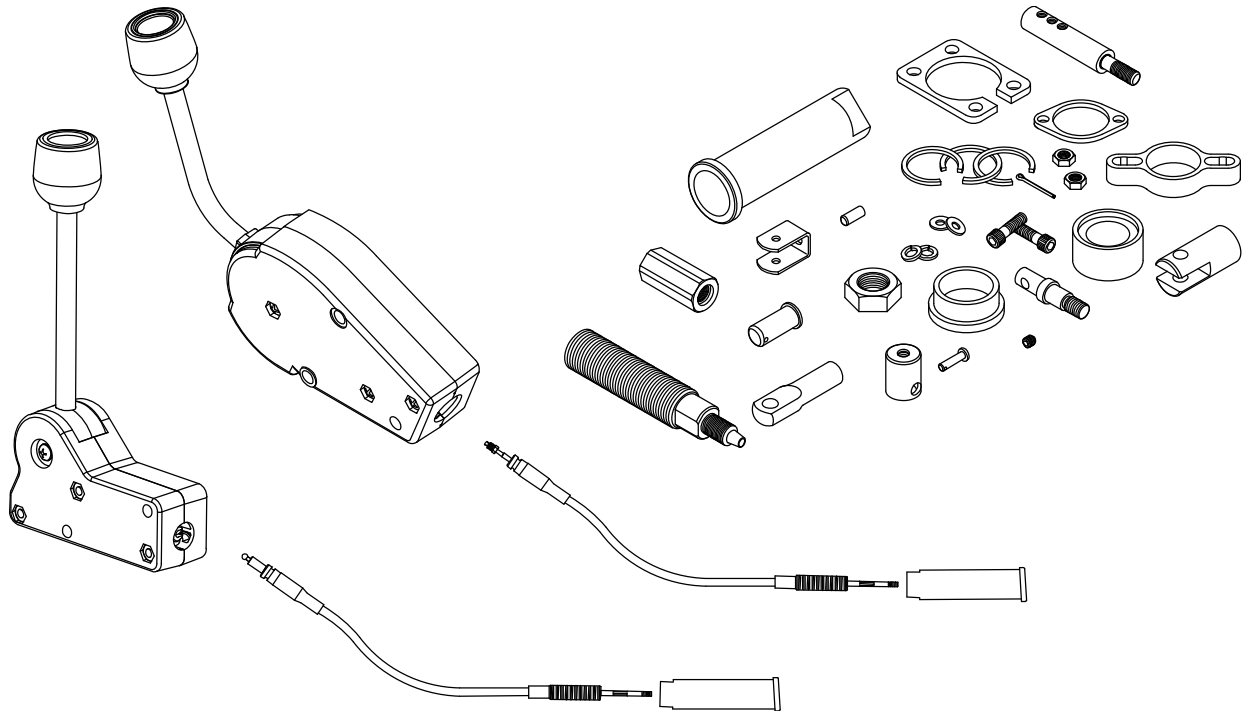


07-0004-07

Dual Mini RVC To

- Made to Accommodate:
(2) Single Axis Mini RVC
- Kit Includes Assembly Hardware and Instructions
- Use with Mini RVC only





VALVE MANUFACTURER	VALVE MANUFACTURER PART NUMBER	WESCON PART NUMBER
Bosch/Rex Roth	30-S2, MP-18 (F.E.) M4-12-1X (F.E.)	01-5000-13 01-5001-75
Brand	34BFT4S (F.E.) 34BHFT4S (R.E.) 34A058730 (R.E.) TS112, 212, 312 (F.E.)	01-5000-33 01-5000-99 01-5001-15 01-5001-44
Bucher	HDS15 (F.E.)	01-5001-101
Parker/ Commercial	A-20, PC25, D -20 (F.E.) A-20, PC25 (R.E.) VA-35 (R.E.) VA-35 (F.E.) CI01 & CI02 Pump (F.E.) GI01 & GI02 Pump (F.E.) GI03 & GI04 Pump (F.E.)	01-5000-10 01-5000-11 01-5000-29 01-5000-36 01-5000-71 01-5001-14 01-5000-41
Cross	BA, BC, CA, DC, SS (F.E.)	01-5000-28
Energy	CVSD, CVP, CVA-200 (F.E.)	01-5000-12
Parker/Gresen	25P, CP, CS, V20, V (F.E.) V12 (F.E.) V20 (F.E.) V20 Spring Return (R.E.) V30 (F.E.)	01-5000-12 01-5000-25 01-5000-66 01-5001-39 01-5000-20

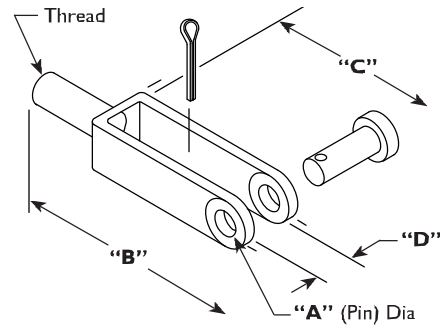
VALVE MANUFACTURER	VALVE MANUFACTURER PART NUMBER	WESCON PART NUMBER
Husco	5000 (F.E.) 6000 (F.E.)	01-5000-78 01-5000-25
Kontak	KA-18 (F.E.) KA-18 (F.E.)	01-5000-31* 01-5000-43
Parker	VDPI1, VDPI2 (F.E.)	01-5000-25
Permco	DMD25, DM640 (F.E.) DMD-200, 300, 400 (F.E.)	01-5000-88 01-5001-46
Prince	RD4100 (F.E.) SV Series (F.E.) SV Series (R.E.) 20, 20P (R.E.) LVR, LVT, LVS (F.E.)	01-5000-46 01-5000-82 01-5000-85 01-5001-09 01-5001-35
Racine	3/8 (F.E.)	01-5000-20
Salami	VDM06 (F.E.)	01-5001-71
Sauer-Danfoss	PVG32	01-5001-102
Tyrone	T101/T102 (F.E.)	01-5000-88
Walvoil	DLSM8 (F.E.) SDS 150	01-5000-73 01-5001-89
Williams	Dump Pump	01-5000-42

* Fits Kontak Cable Only
(F.E.) - Front Entry
(R.E.) - Rear Entry

Clevis

All Dimensions Are Inches (mm)

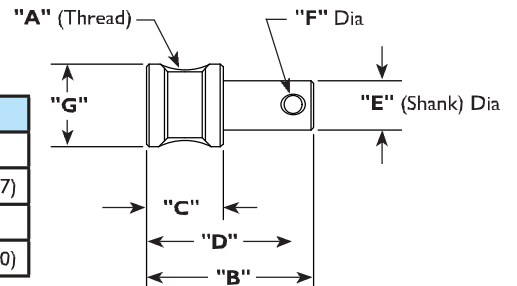
Part Number	"A"	"B"	"C"	"D"
40 Series (1/4-28 Thread)				
06-1500-01	1/4 (6.4)	2 (50.8)	1 1/4 (31.8)	9/32 (7.1)
06-1500-02	5/16 (7.9)	2 1/4 (57.2)	1 7/16 (36.5)	11/32 (8.7)
06-1500-03	3/8 (9.5)	2 1/2 (63.5)	1 5/8 (41.3)	7/16 (11.1)
60 Series (5/16-24 Thread)				
06-1500-06	1/4 (6.4)	2 (50.8)	1 1/4 (31.8)	9/32 (7.1)
06-1500-07	5/16 (7.9)	2 1/4 (57.2)	1 7/16 (36.5)	11/32 (8.7)



Pivot

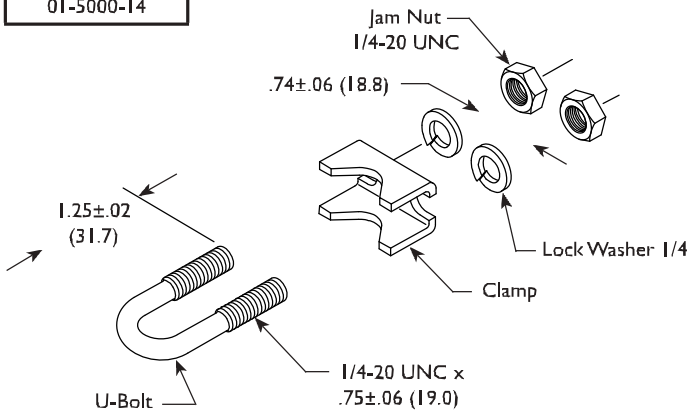
All Dimensions Are Inches (mm)

Part Number	"A"	"B"	"C"	"D"	"E"	"F"	"G"
40 Series							
02-1601-04	1/4-28	.906 (23.0)	.562 (14.3)	.743 (18.9)	.312 (7.9)	.081 (2.1)	.50 (12.7)
60 Series							
02-1601-05	5/16-24	1.265 (32.1)	.578 (14.7)	1.109 (28.2)	.375 (9.5)	.136 (3.5)	.63 (16.0)



U-Bolt Assembly

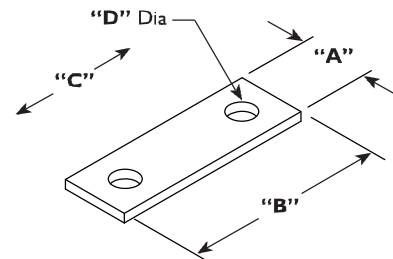
40 & 60 Series
01-5000-14



Shim

All Dimensions Are Inches (mm)

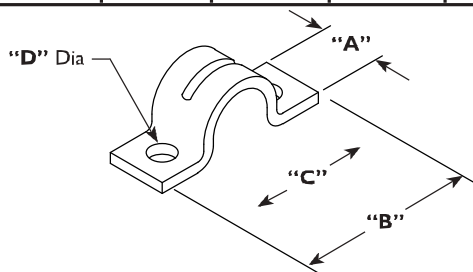
Part Number	"A"	"B"	"C"	"D"
40 Series				
08-0010-02	.50 (12.7)	1.50 (38.1)	1.00 (25.4)	.218 (5.5)
60 Series				
08-0010-03	.62 (15.7)	1.75 (44.4)	1.25 (31.8)	.281 (7.1)



Clamps

All Dimensions Are Inches (mm)

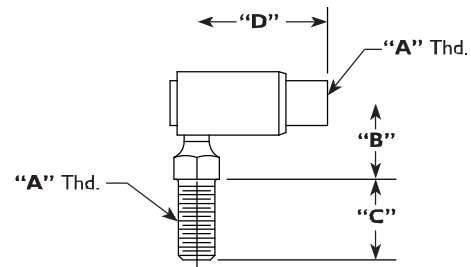
Part Number	"A"	"B"	"C"	"D"
40 Series				
08-0009-02	.50 (12.7)	1.50 (38.1)	1.00 (25.4)	.218 (5.5)
60 Series				
08-0009-03	.62 (15.7)	1.75 (44.4)	1.25 (31.8)	.281 (7.1)



Ball Joint (Style I only)

All Dimensions Are Inches (mm)

Part Number	"A"	"B"	"C"	"D"
40 Series				
08-0004-01	1/2 -28	.50 (12.7)	.56 (14.2)	.97 (24.6)
60 Series				
08-0021-01	5/16-24	.59 (15.0)	.69 (17.5)	1.25 (31.8)



TAKE A LOOK AT OTHER WESCON PRODUCTS



Push-Pull Cables Control Systems

Proven technology and years of experience have gone into making the Wescon push-pull cables top of the line in durability and dependability. Polyethylene covers and a variety of conduit constructions can be customized to fit your specific cable usage. Other optional plastics or nylon can be added to suit your environmental, corrosion resistant or extreme temperature applications.



Rotary Push-Pull Lever Control Systems

This control is designed for light applications up to a 20 lb. operating load. The lever has a friction brake. Travels are available up to 3 inches. The compact design allows it to fit in a small 3.5 inches by 3.5 inch area. It can be mounted to a bulkhead or with an optional bracket it can be mounted to a handle bar. The handle is capable of any of 16 different positions or every 22.5 degrees around the dial.



Brake Cable and Lever Systems

Welded construction and zinc plating are incorporated in every Wescon brake lever for stamina and quality assurance. Optional adjustment lock-down screws and zinc-plated / yellow chromate dipped cable connection hardware kits are also available.

Wescon brake cables are built with a conduit construction that allows loads to be carried with low compressive deflection. All linings and coverings are formulated to reduce friction, abrasion, contamination and ultimately maximize efficiency.

Consult your Wescon representative for proper applications and recommendations.



Light Duty Cable Control Systems

Our light duty cable control systems are engineered to help your equipment run smoother while complementing the functionality and the aesthetics of your product. Call the Wescon team to help you design controls that add the marketability of your products.



ISO 9001 CERTIFIED

WESCON PRODUCTS COMPANY

P.O. Box 7710 Wichita, Kansas 67277
316-942-7266 or call toll free 1-800-835-0160
Fax 316-942-5114
www.wesconproducts.com