

STEWART WARNER

MARINE INSTRUMENTS



SYMBOL OF
SW
EXCELLENCE

Committed to Excellence

Stewart Warner is an American institution. We supplied the speedometer for Henry Ford's first automobile. In fact, we've been developing and delivering high-quality products since our founding in 1905. Our name has become synonymous with innovative and top-quality instruments and sensing devices.

A lot has changed in the past century, including Stewart Warner. You should take a look at the way Stewart Warner is evolving. In 1994, our new management team took the helm of this revered company and revitalized the way we do business.

Today, Stewart Warner still provides high-quality instruments and sensing devices for original equipment manufacturers and aftermarket applications. We just do it better than ever before.

The Seaworthy™ Line of Stewart Warner products is built for today's high performance boating applications which are subject to a high vibration and corrosion environment.

- Corrosion resistant **brass case**, studs, bracket, and hardware.
- Aluminum bezel with **powder coat** finish to protect against harmful ultraviolet rays.
- Crisp white facial graphics.
- **Green Nighttime lighting** for high visibility and low glare.
- **Pointer dampening** to reduce vibration and increase readability.

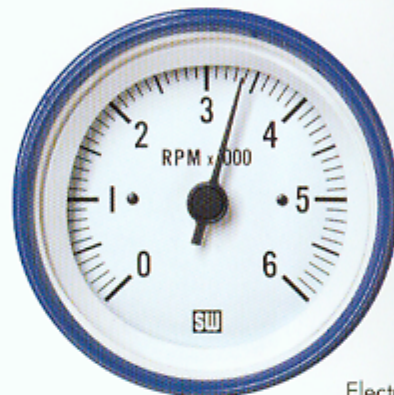


Mechanical

10-60 MPH Speedometer

Sender: 83066 Pitot tube

83060	White bezel
83061	Red bezel
83062	Purple bezel
83063	Blue bezel
83064	Gray bezel
83065	Teal bezel

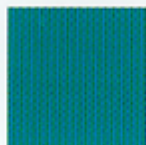


Electric

0-6000 RPM Tachometer

83036	White bezel
83037	Red bezel
83038	Purple bezel
83039	Blue bezel
83040	Gray bezel
83041	Teal bezel

Available in six vibrant colors* to complement the interior of your boat.



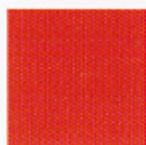
Caribbean Teal



Dove Gray



Alabaster White



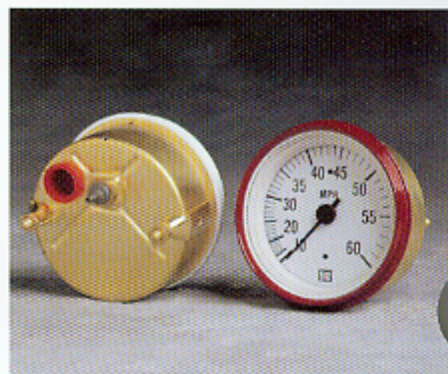
Ruby Red



Sapphire Blue



Carmine Purple



Brass enclosure resists corrosion from fresh and salt water.

*Custom colors and graphics available for OEM applications.

MARINE INSTRUMENTS



Electric

0-100 PSI Fuel Pressure

83042	White bezel
83043	Red bezel
83044	Purple bezel
83045	Blue bezel
83046	Gray bezel
83047	Teal bezel



Electric

100-280° Water Temp

Sender: 280ED-F

83024	White bezel
83025	Red bezel
83026	Purple bezel
83027	Blue bezel
83028	Gray bezel
83029	Teal bezel



Electric

0-80 Oil Pressure

Sender: 279A

83018	White bezel
83019	Red bezel
83020	Purple bezel
83021	Blue bezel
83022	Gray bezel
83023	Teal bezel

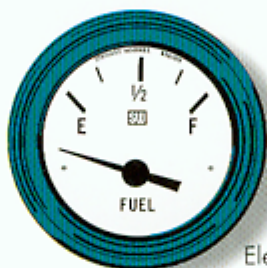


Electric

140-320° Oil Temp

Sender: 280EE-F

83000	White bezel
83001	Red bezel
83002	Purple bezel
83003	Blue bezel
83004	Gray bezel
83005	Teal bezel

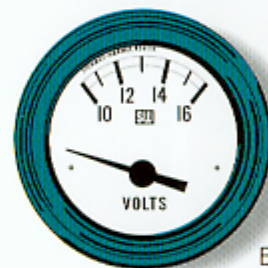


Electric

E-1/2-F Fuel

Sender: 385/391 Series

83006	White bezel
83007	Red bezel
83008	Purple bezel
83009	Blue bezel
83010	Gray bezel
83011	Teal bezel



Electric

10-16V Voltmeter

83012	White bezel
83013	Red bezel
83014	Purple bezel
83015	Blue bezel
83016	Gray bezel
83017	Teal bezel



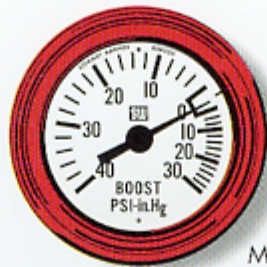
Mechanical

2-30 PSI Water Pressure

Tube Kit: 82553-F 6FT

Tube Kit: 366HM-F 16FT

83030	White bezel
83031	Red bezel
83032	Purple bezel
83033	Blue bezel
83034	Gray bezel
83035	Teal bezel

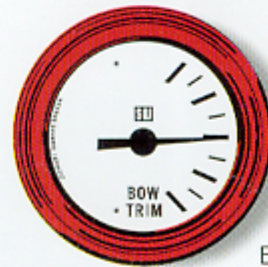


Mechanical

0-40 PSI / 0-30 HG Boost

Tube Kit: 82562-F

83048	White bezel
83049	Red bezel
83050	Purple bezel
83051	Blue bezel
83052	Gray bezel
83053	Teal bezel



Electric

Bow Trim

83054	White bezel
83055	Red bezel
83056	Purple bezel
83057	Blue bezel
83058	Gray bezel
83059	Teal bezel

NOTE: Case size dimensions are referenced on page 4.

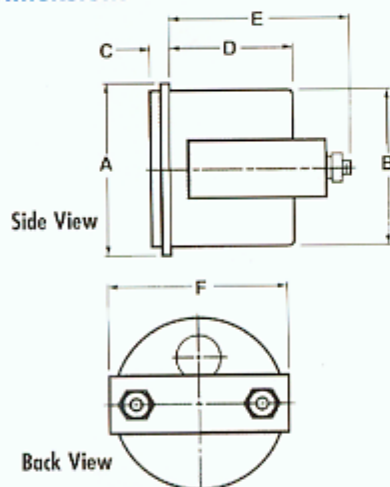
DELUXE™ MARINE INSTRUMENTS

Stewart Warner's *Deluxe™* marine instruments are the industry's standard for quality and reliability.

- Provide long-time accepted **classic visual appearance**.
- Stewart Warner patented light ring **eliminates harsh nighttime glare** with soft blue light.
- **Brass** housing, bracket and hardware ensure corrosion resistance.
- Bold white on black graphics.
- Low profile, **brass bezel** with bright **chrome finish**.



Approximate Mounting Dimensions



Dim.	2 1/16" Gauge		3 3/8" Speedometer & Tachometer			
			Speed.		Tach.	
	in.		in.		in.	
A	2.28		3.57		DLX. 3.57	SEAW. 3.69
B	2.06		3.34			
C	DLX. 0.24	SEAW. 0.43	DLX. 0.22	SEAW. 0.58	DLX. 0.26	SEAW. 0.52
D	1.76		1.43		2.25	
E	2.85		2.30		3.62	
F	2.25		3.59		3.59	

GAUGE TYPE	DIAL SCALE	MECH.	ELEC.		
AMMETER	60-0-60		82108	Shunt	
	60-0-60		82109	813489	
	100-0-100		82110	407616	
VOLTMETER	10-16V		82112		
PRESSURE				Senders	
	Oil	0-80 psi		279A	
		0-100 psi		279B-F	
	Drive Oil	0-300 psi	82120	82553-F 6FT [tube kit]	
	0-400 psi	82121			
	Water	0-30 psi	82130	366HM-F 16FT [tube kit]	
TEMPERATURE	Water	100-240°F		82114	
		100-265°F	491CT*		
		100-265°F	82326*		
	Oil	140-325°F	82327*		
		100-280°F		82115	
BOW TRIM	No Scale		82124		
VACUUM	0-30 Hg	82117		82562-F [tube kit]	
FUEL LEVEL	240 OHM	E-1/2-F	82111	391 or 385 Series	
SPEEDOMETER	0-60 mph	82153		83066 (Pilot tube kit)	
	0-75 mph	82152			
TACHOMETER	12 Pole Outboard	4,6,8,Cyl. Ignition	0-6000 rpm	82162	
		4,6,8,Cyl. Ignition	0-8000 rpm	82170	
	20 Pole Outboard	4,8,12,Cyl. Ignition	0-8000 rpm	82163	
HOURLY METER	10,000 hr		83502	Dimension	
			83505	2 1/16"	
				2 5/8"	

4 * To convert inches to centimeters multiply by 2.54
DLX. = Deluxe™ SEAW. = Seaworthy™

* Case constructed of steel with long-life, rust-inhibiting finish.

Halogen Marine Lamps



Flush Mount

Stud Mount

Designed to withstand shock, vibration, dust and moisture, these rugged halogen sealed beam work lamps will perform in the most demanding environments. Available in 12 volt-50 watt and 24 volt-70 watt.

- **Impact resistant** polypropylene housing.
- 50 percent more light, **50 percent more life** than comparable incandescents.
- Borosilicate **glass lens** resists cracking due to temperature extremes.
- Heavy-duty mounting brackets; **all stainless steel hardware.**

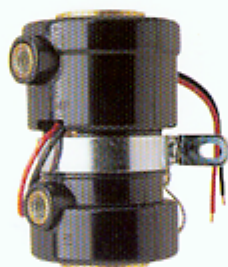
Fuel Pumps

- Corrosion resistant.
- **Approved by Underwriters Laboratories** and U.S. Coast Guard.

Part No.

82055 12V pos/neg ground, 7 psi
82057 12V pos/neg ground, 4 psi

Recommended safety switch: 76579-4



MARINE COMPLETE LAMP ASSEMBLY 4" x 6"				
Part No.	Mntg.	Beam Pattern	Voltage	Current
72656-23	Flush	80° x 30° Flood	12V 50W	4 amp
72715-23	Flush	Spot	12V 50W	4 amp
71723-23	Stud	80° x 30° Flood	12V 50W	4 amp
72716-23	Stud	Spot	12V 50W	4 amp
72666-23	Flush	80° x 30° Flood	24V 70W	3 amp
72717-23	Flush	Spot	24V 70W	3 amp
72530-23	Stud	80° x 30° Flood	24V 70W	3 amp
72718-23	Stud	Spot	24V 70W	3 amp

Marine Replacement Sealed Beams:

72108-15		80° x 30° Flood	12V 50W	4 amp
72719-15		Spot	12V 50W	4 amp
72728-15		80° x 30° Flood	24V 70W	3 amp
72720-15		Spot	24V 70W	3 amp

MARINE COMPLETE LAMP ASSEMBLY 3" x 5"

Part No.	Mntg.	Beam Pattern	Voltage	Current
73620-01	Stud	80° x 30° Flood	12V 50W	4 amp

Includes Spreader Bracket

Marine Replacement Sealed Beams:

74041-01		80° x 30° Flood	12V 50W	4 amp
----------	--	-----------------	---------	-------

Pressure Switches

- Robust construction for **maximum strength.**
- Diaphragm assembly is normally open and closes when input pressure drops.

1/8" PT

364LF 6 psi
364KF 15 psi



Temperature Switches

- **Solid brass** body.
- Gold-plated contacts.
- Excellent **accuracy** and repeatability.



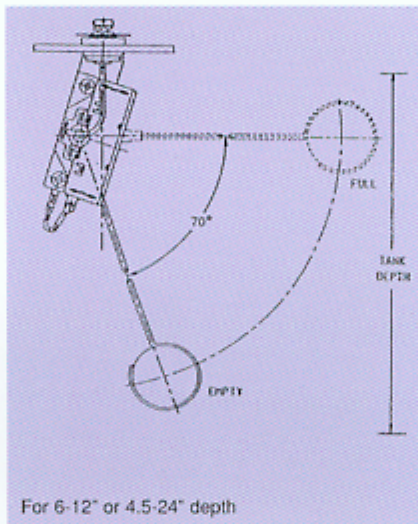
83300 SERIES TEMPERATURE SWITCHES

Sales Kit#	OEM#	Thread Size	Temp.	Terminal
83300	413D	1/4" NPTF	200°	Spade
83301	413AM	1/4" NPTF	225°	Spade
83302	413BY	1/4" NPTF	225°	Screw
83303	413CP	1/4" NPTF	240°	Screw
83304	413E	3/8" NPTF	200°	Spade
83305	413AY	3/8" NPTF	220°	Screw
83306	413BR	3/8" NPTF	235°	Spade
83307	413F	1/2" NPTF	200°	Spade
83308	413P	1/2" NPTF	200°	Screw
83309	413AX	1/2" NPTF	215°	Screw
83310	413G	1/2" NPTF	225°	Spade
83311	413W	1/2" NPTF	250°	Screw
83312	413AB	1/2" NPTF	270°	Screw
83313	413CL	M16 x 1.5	225°	Spade
83314	413CM	M16 x 1.5	250°	Spade

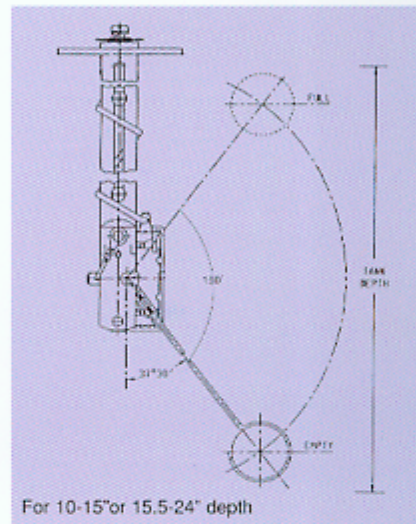


Thick Film Fuel Senders

- Thick-film resistors deliver greater accuracy and will perform reliably for more than **ten million cycles**.
- Phosphor bronze wiper with nickel silver contact provides **extended life under fuel sloshing and dither conditions**.
- Resistors are trimmed by computer-guided lasers to exact specifications for **greater accuracy**.
- Extended float arm support is impervious to side play from fuel sloshing in the tank.
- **Solid Lifecell™** float will not sink.
- Zinc dichromate finish and bronze hardware.



385 Series



391 Series

THICK FILM FUEL LEVEL SENDERS

	240 ohm OEM #	
4 1/2-24" depth, RH	385AB-F	385AB
6-12" depth, LH	385B-F	385B
6-12" depth, RH	385C-F	385C
10-15" depth, LH	391A-F	391A
10-15" depth, RH	391B-F	391B
15 1/2-24" depth, LH	391C-D	391C
15 1/2-24" depth, RH	391D-D	391D

Replacement float for 385 and 391 Series:
836092 Lifecell

Fuel Senders comply with NMMA requirements for fire resistance.
Tested to USCG requirement #33 CFR 183.590.



85098-03



85094-12



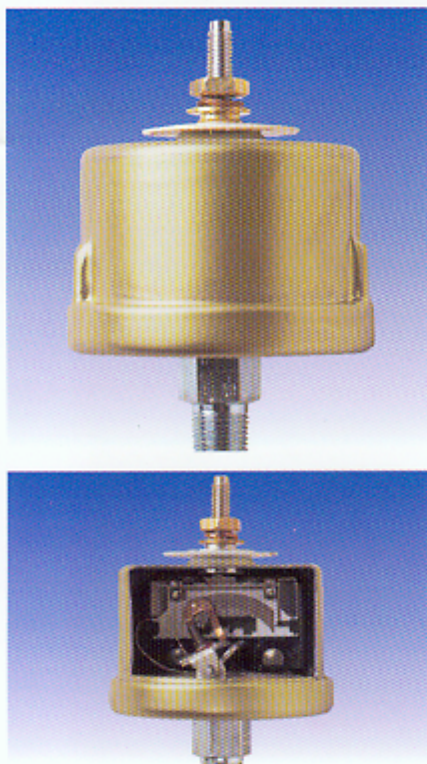
85097-02

Hobbs DC Hourmeters

- **Quartz accuracy.**
- Relay-driven odometer.
- Automatically recycles to zero.
- **U.L. listed** and CSA certified.

DC HOURMETERS (10-80VDC OPERATING RANGE)

Order Data	1	2	3	4	
Type	2-screw Black	3-screw Black	Chrome Flush 2.27"	Black Flush 2.27"	Chrome Flush 2.50"
Part Number	85094-12	85097-02	85342-03	85093-03	85098-03



Pressure Senders

- Preferred for the most rigorous applications, thick film pressure senders will last up to **five times longer** than senders with wire-wound resistors.
- Trimmed by computer-guided lasers for **greater accuracy**.
- Kapton® high-temperature plastic diaphragms sealed with Viton® gaskets for **tighter seals and greater protection against oil leaks**.

THICK FILM PRESSURE SENDERS

Sales Kit #	OEM #	Pressure	Resistance
279A	411-J	80 psi	240 ohms
279B-F	411-K	100 psi	240 ohms
279D	411-L	60 psi	240 ohms
279C	411-M	150 psi	240 ohms
82514 *	411-X *	80 psi	240 ohms
82501 *	411-Y *	100 psi	240 ohms
	411-AA	40 psi	240 ohms
82504F	411-AB	15 psi	240 ohms

Standard pipe thread is 1/8". Sales kits include adapter for 1/4" pipe thread.

* Sender operates two gauges simultaneously.

Temperature Senders

- Constructed of high-quality, **corrosion-resistant brass** for maximum durability and outstanding electrical and thermal conductivity.
- Phosphor bronze contact spring provides **resistance to shock and vibration**.



TEMPERATURE SENDERS

Univ. Sales Kit #	Sales Kit #	OEM #	Thread Size	Hex Size	Range
280EC		334F	1/8" NPTF	5/8"	100-230°F
	334N-D	334N	1/4" NPTF	5/8"	100-230°F
	334K-D	334K	1/4" NPTF	5/8"	100-230°F
	334P-P	334P	3/8" NPTF	3/4"	100-230°F
	334L-D *	334L *	3/8" NPTF	3/4"	100-230°F
	334R-D	334R	1/2" NPTF	7/8"	100-230°F
	334M-D *	334M *	1/2" NPTF	7/8"	100-230°F
280EA	362CZ-D	362CZ	1/8" NPTF	5/8"	100-240°F
82503 *				5/8"	100-240°F
	362AN-D	362AN	1/4" NPTF	5/8"	100-240°F
	362BD-D *	362BD *	1/4" NPTF	3/4"	100-240°F
	362AJ-D	362AJ	3/8" NPTF	3/4"	100-240°F
	362BC-D *	362BC *	3/8" NPTF	3/4"	100-240°F
	362AH-D	362AH	1/2" NPTF	7/8"	100-240°F
	362BB-D *	362BB *	1/2" NPTF	7/8"	100-240°F
280ED-F	334H-D	334H	1/8" NPTF	5/8"	100-280°F
	334AA-D	334AA	1/4" NPTF	5/8"	100-280°F
	334AB-D	334AB	3/8" NPTF	3/4"	100-280°F
	334AD-D	334AD	1/2" NPTF	7/8"	100-280°F
280EE-F		334J	1/8" NPTF	5/8"	140-320°F

Standard pipe thread is 1/8". Universal sales kits include adapter for 1/4", 3/8" and 1/2" pipe thread.

* Sender operates two gauges simultaneously

82510-F Univ. Metric-Adapters 14, 16, 18 mm Thread 100-280°F

NOTE: OEM # is bulk packaged. Contact your sales representative for bulk quantity.

Developing High Performance Products for the Marine Industry

Day

Night



Stewart Warner state-of-the-art lighting makes for easy readability and low glare.



Stewart Warner Instrument Corporation

Technical Sales Office: 580 Slawin Court • Mount Prospect, Illinois 60056
Phone (847) 803-0200 • Fax (847) 803-8441

Customer Service/Order Information: 1324 Goodyear Drive • El Paso, Texas 79936
Phone (915) 593-5100 • Fax (915) 595-1449